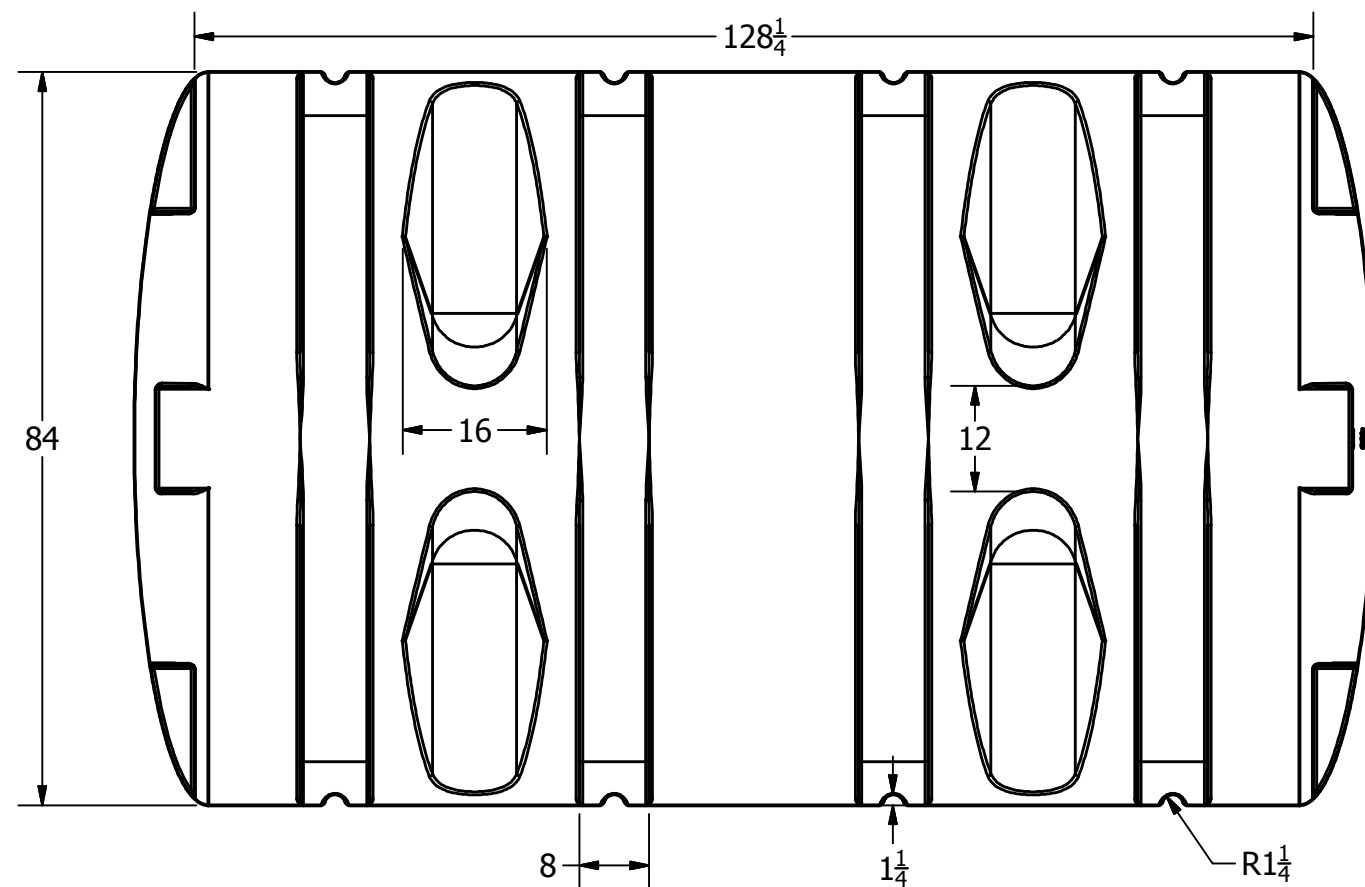
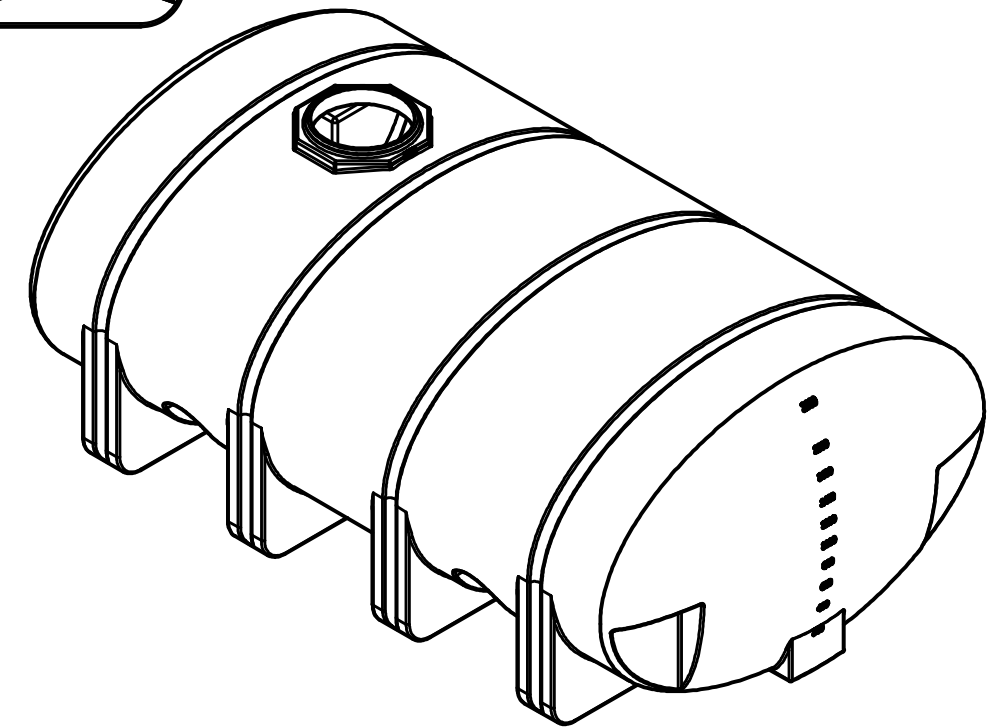

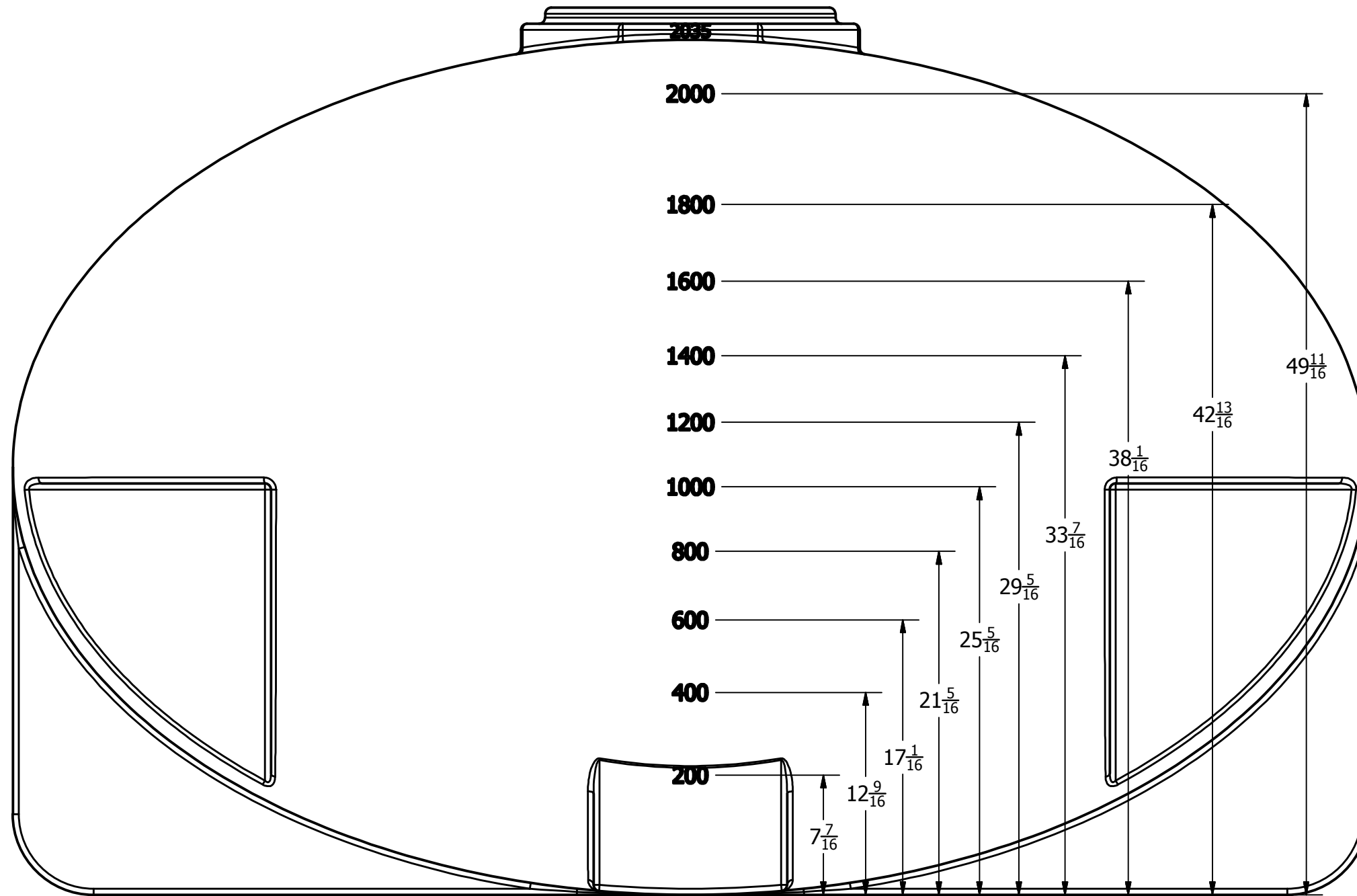



SECTION B-B  
SCALE 1:30



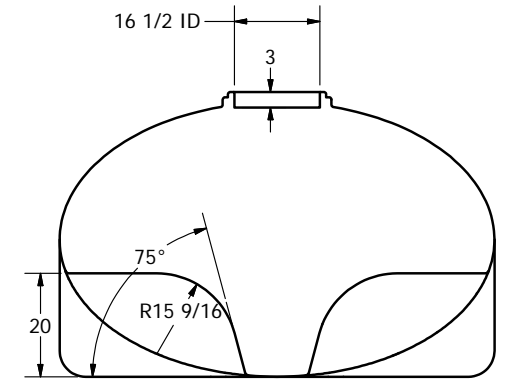
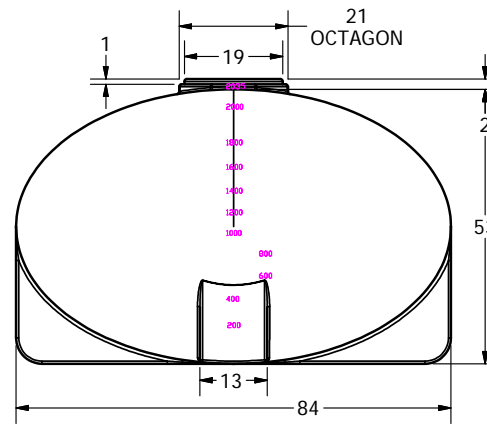
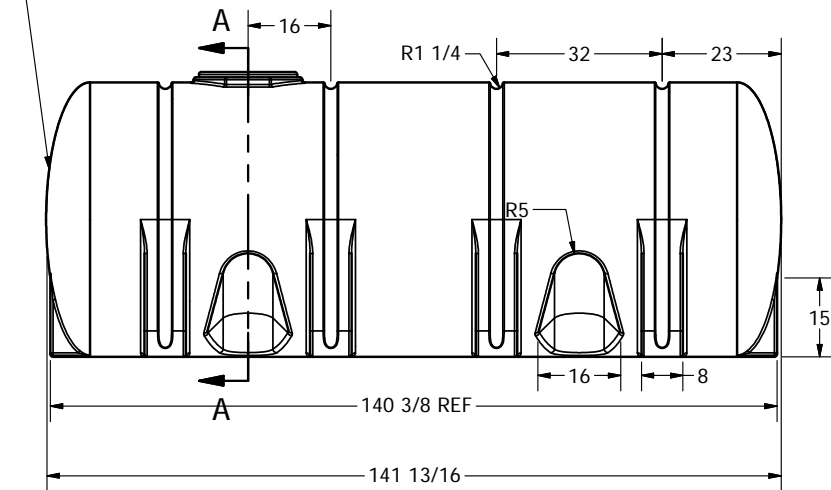
REVISION HISTORY			
REV	DESCRIPTION	DATE	AUTHOR
A	REDRAWN	8/6/2013	Michael Holden
DRAWN Jerry Paulson		4/20/1994	 NORWESCO, INC. SAINT BONIFACIUS, MN TITLE <b>2035 GALLON ELLIPTICAL LEG TANK</b>
CHECKED			
QA			
MFG			
APPROVED			
SIZE B		DWG NO	REV A
SCALE: 1/16		SHEET 1 OF 2	

FOB: GRIFFIN, GA LANCASTER, OH TOOLE, UT & HANFORD, CA

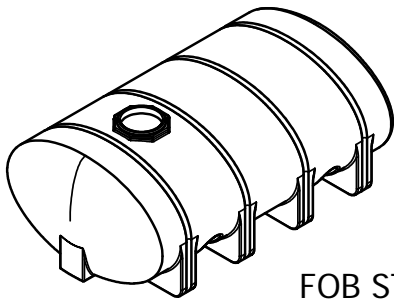


DRAWN Jerry Paulson	4/20/1994	 NORWESCO, INC. SAINT BONIFACIUS, MN		
CHECKED		TITLE		
QA		2035 GALLON ELLIPTICAL LEG TANK		
MFG				
APPROVED				
		SIZE <b>B</b>	DWG NO	REV <b>A</b>
		SCALE: 1/16	SHEET 2 OF 2	


GALLON MARKS ARE ON THIS END



SECTION A-A  
SCALE 1 / 24



FOB ST. BONIFACIUS, MN, SHAWNEE, OK, &  
FAIRFIELD, TX

DRAWN Jerry Paulson	10/11/2007		
CHECKED		NORWESCO, INC., ST. BONIFACIUS, MN	
QA		TITLE	
MFG		2035 GALLON ELLIPTICAL TANK	
APPROVED Jerry Paulson		SIZE B	REV A
		SCALE: 1/24	DWG NO
			SHEET 1 OF 1