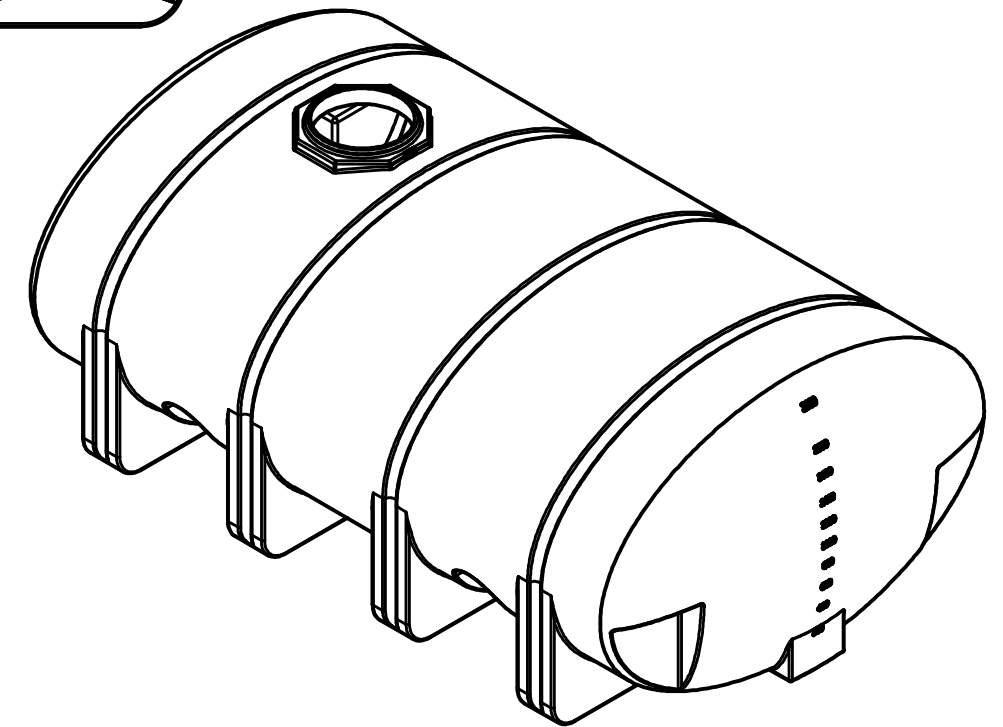

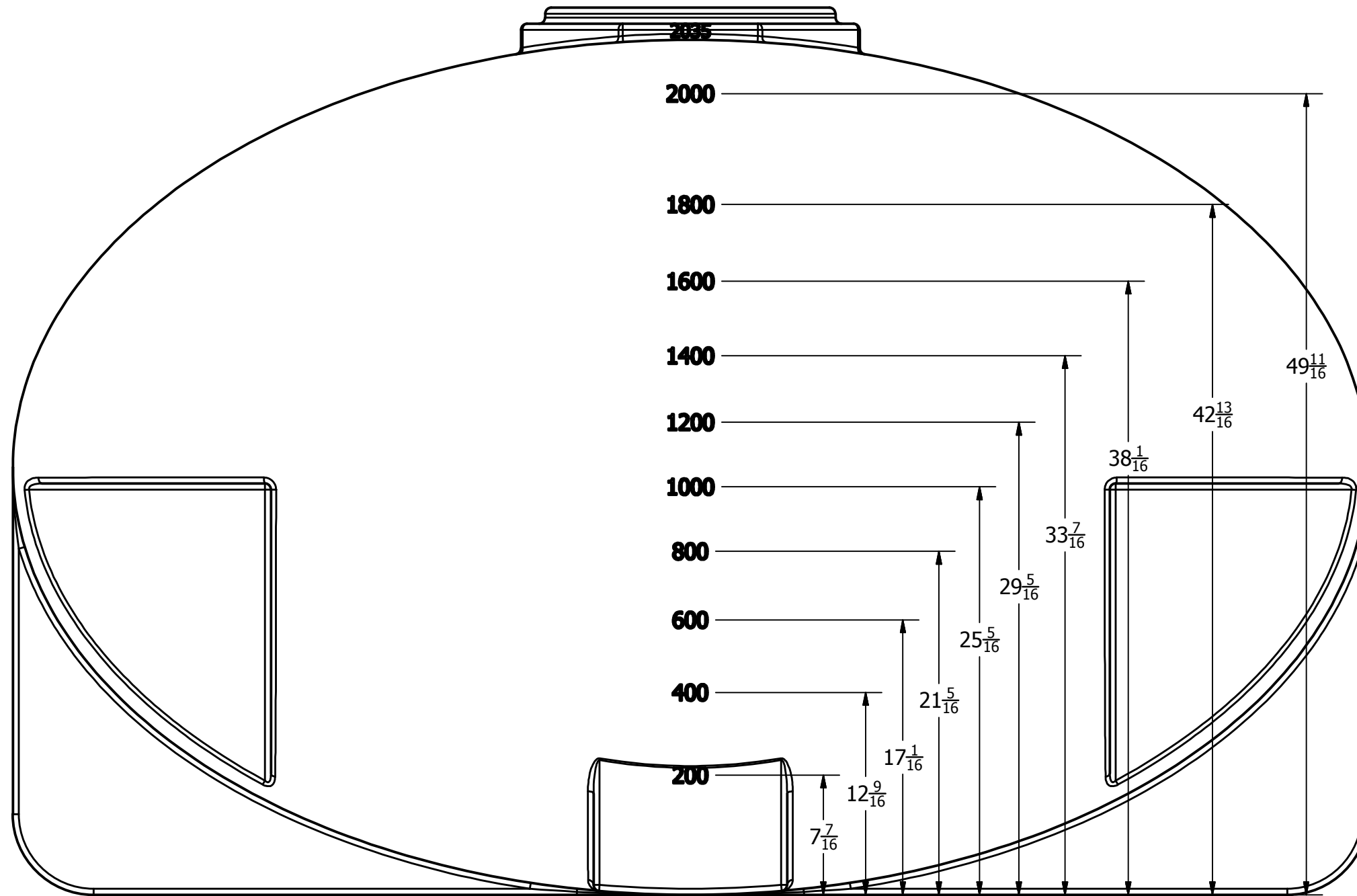



SECTION B-B
SCALE 1:30



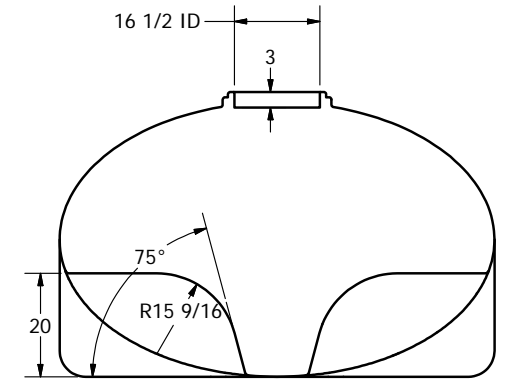
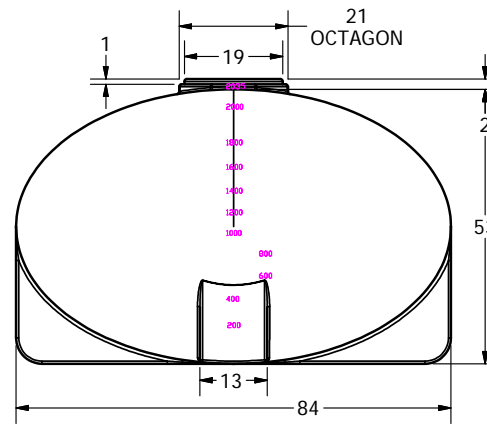
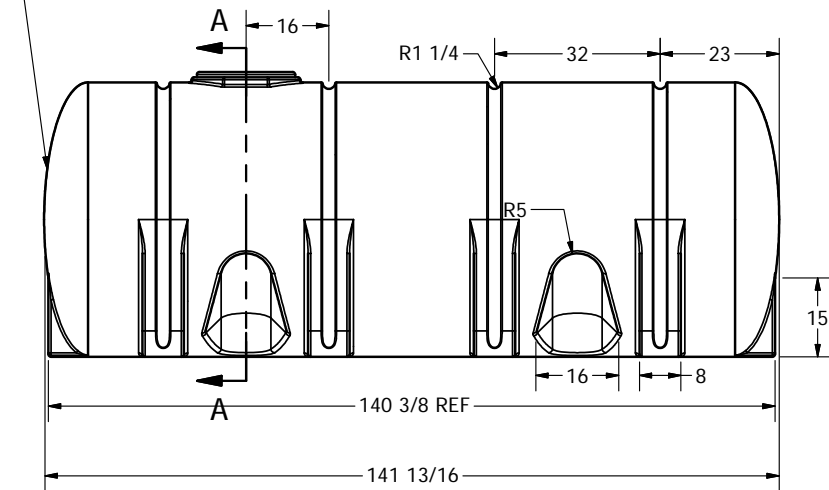
FOB: GRIFFIN, GA LANCASTER, OH TOOLE, UT & HANFORD, CA

REVISION HISTORY			
REV	DESCRIPTION	DATE	AUTHOR
A	REDRAWN	8/6/2013	Michael Holden
DRAWN Jerry Paulson		4/20/1994	 NORWESCO, INC. SAINT BONIFACIUS, MN TITLE 2035 GALLON ELLIPTICAL LEG TANK
CHECKED			
QA			
MFG			
APPROVED			
SIZE B		DWG NO	REV A
SCALE: 1/16		SHEET 1 OF 2	

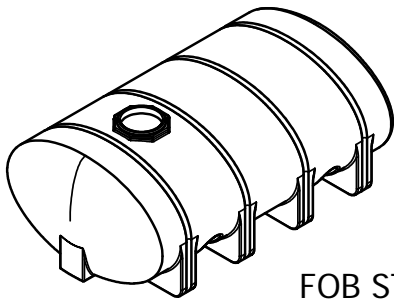


DRAWN Jerry Paulson	4/20/1994	 NORWESCO, INC. SAINT BONIFACIUS, MN TITLE		
CHECKED				
QA		2035 GALLON ELLIPTICAL LEG TANK		
MFG				
APPROVED				
		SIZE B	DWG NO	REV A
		SCALE: 1/16	SHEET 2 OF 2	


GALLON MARKS ARE ON THIS END



SECTION A-A
SCALE 1 / 24



FOB ST. BONIFACIUS, MN, SHAWNEE, OK, &
FAIRFIELD, TX

DRAWN Jerry Paulson	10/11/2007		
CHECKED		NORWESCO, INC., ST. BONIFACIUS, MN	
QA		TITLE	
MFG		2035 GALLON ELLIPTICAL TANK	
APPROVED Jerry Paulson		SIZE B	REV A
		DWG NO	
		SCALE: 1/24	SHEET 1 OF 1