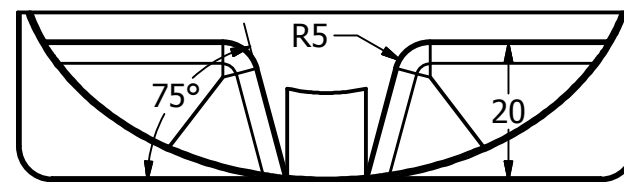
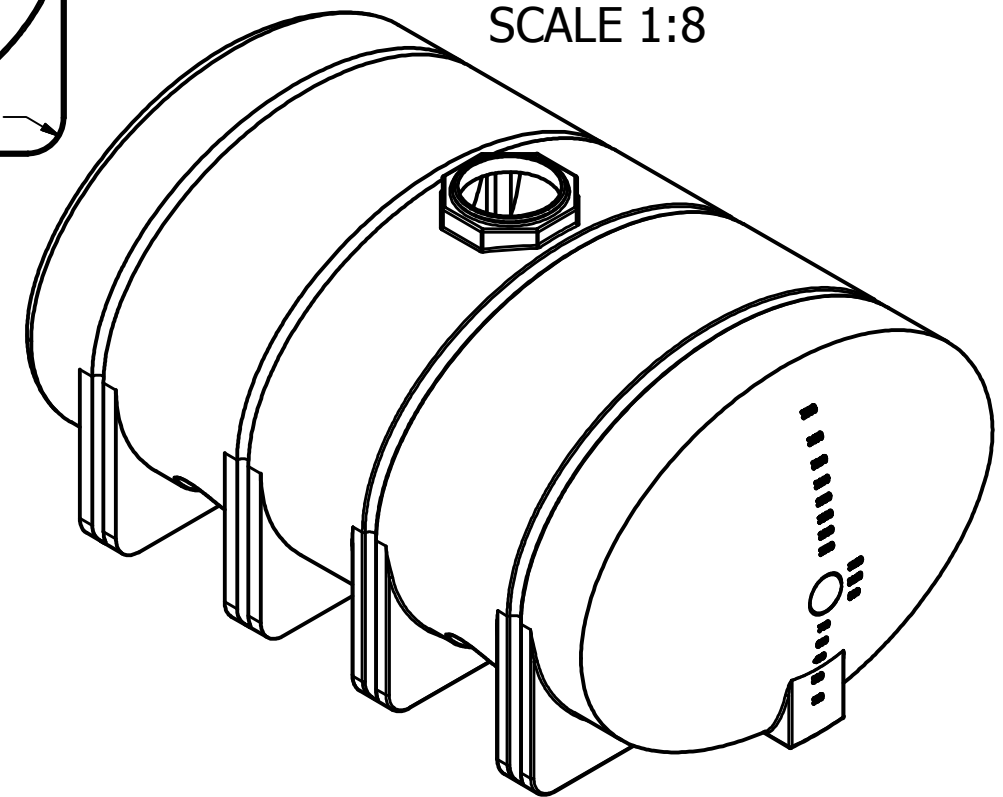
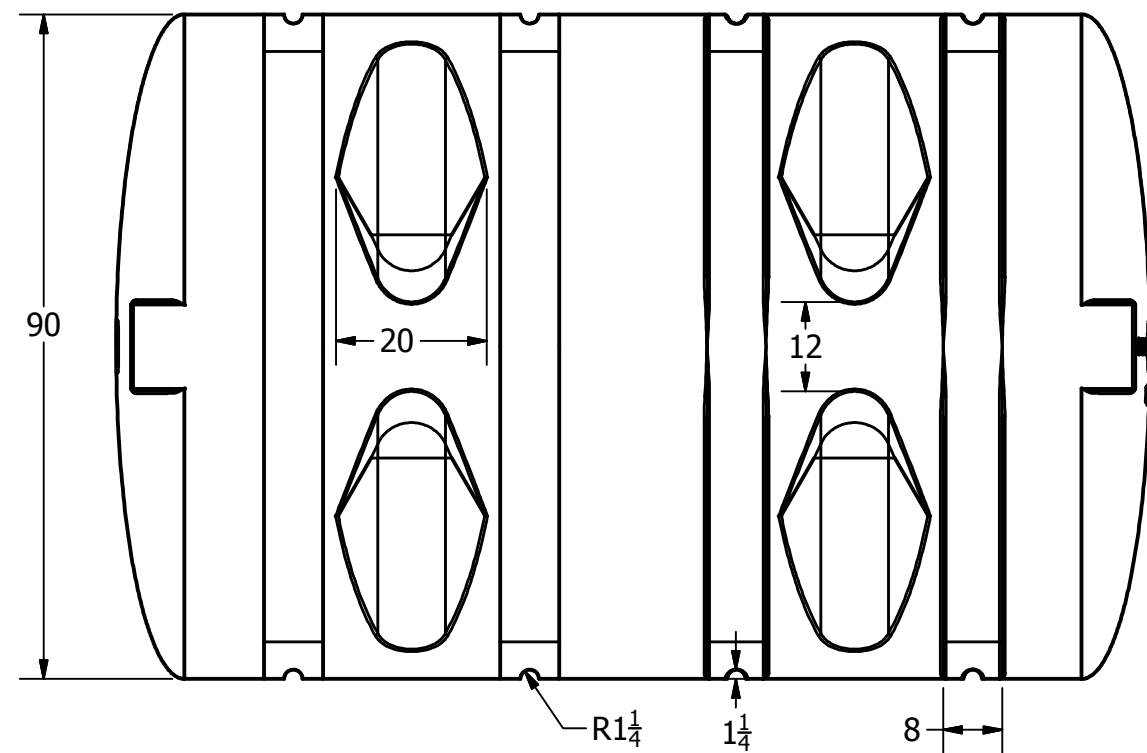



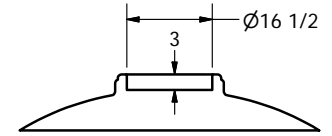
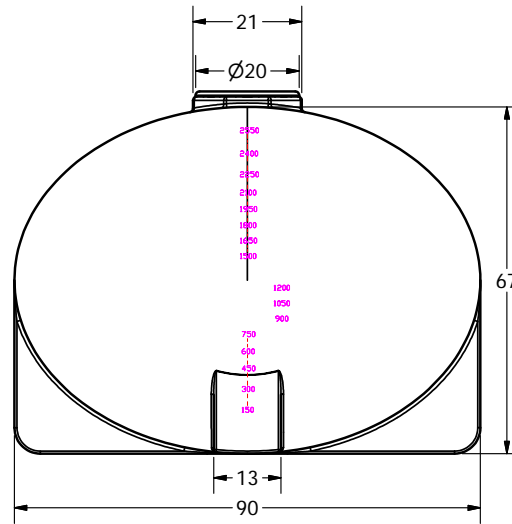
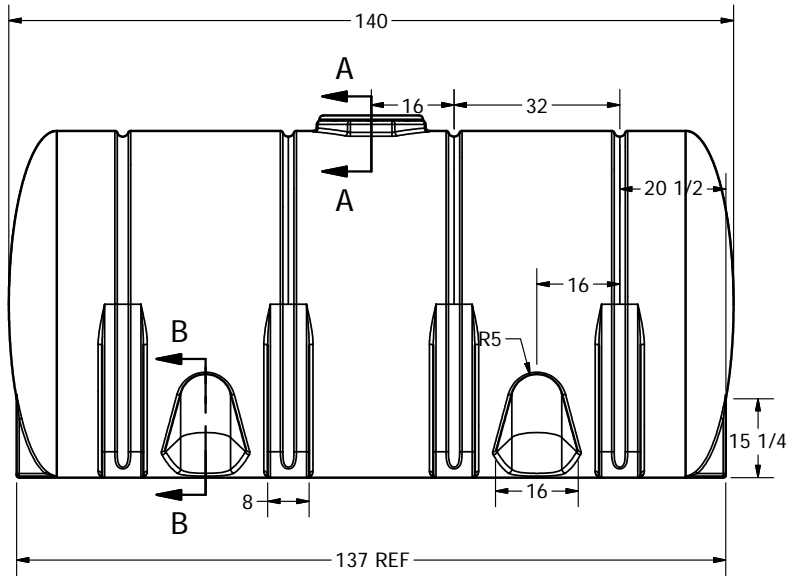
SECTION A-A
SCALE 1:8



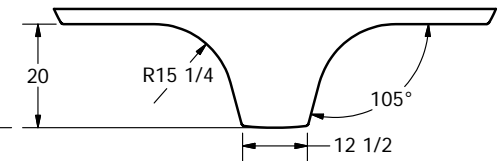
SECTION B-B
SCALE 1:28



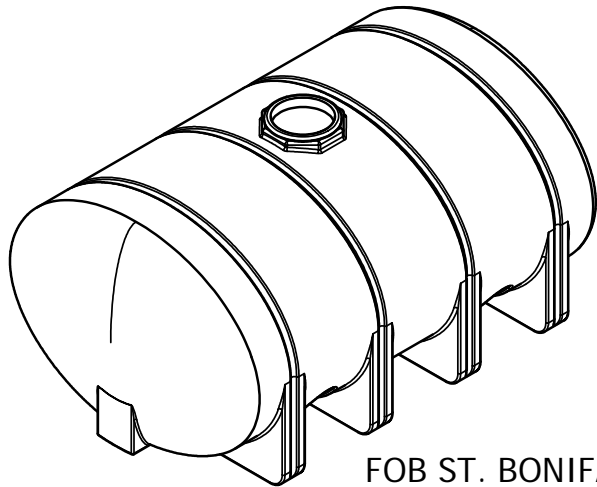
REVISION HISTORY			
REV	DESCRIPTION	DATE	AUTHOR
B	REDRAWN, SPRGR REV'D	10/22/1997	
C	REDRAWN, SPRGR REV'D	8/17/2004	
D	REDRAWN	8/6/2013	Michael Holden
DRAWN Jerry Paulson		10/22/1997	 NORWESCO NORWESCO, INC. SAINT BONIFACIUS, MN TITLE 2635 GALLON ELLIPTICAL LEG TANK
CHECKED			
QA			
MFG			
APPROVED			
SIZE B		DWG NO	REV D
SCALE: 1/16		SHEET 1 OF 2	




SECTION A-A
SCALE 1 / 24



SECTION B-B
SCALE 1 / 24



FOB ST. BONIFACIUS, MN & FARIFIELD, TX

DRAWN Jerry Paulson	10/12/2007	 NORWESCO, INC., ST. BONIFACIUS, MN		
CHECKED		TITLE		
QA		2635 GALLON ELLIPTICAL TANK		
MFG				
APPROVED Jerry Paulson		SIZE B	DWG NO	REV A
		SCALE: 1/24	SHEET 1 OF 1	