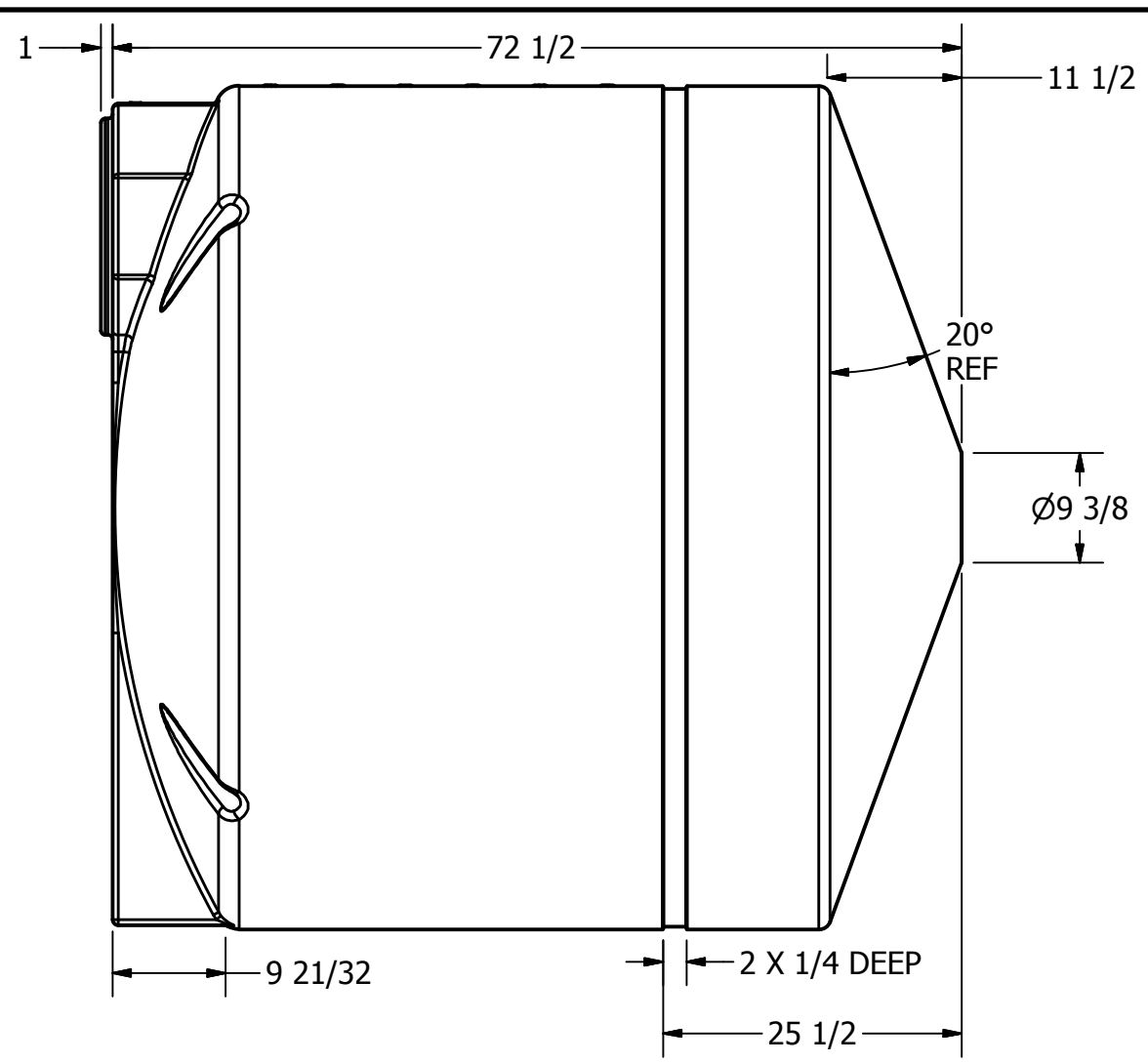

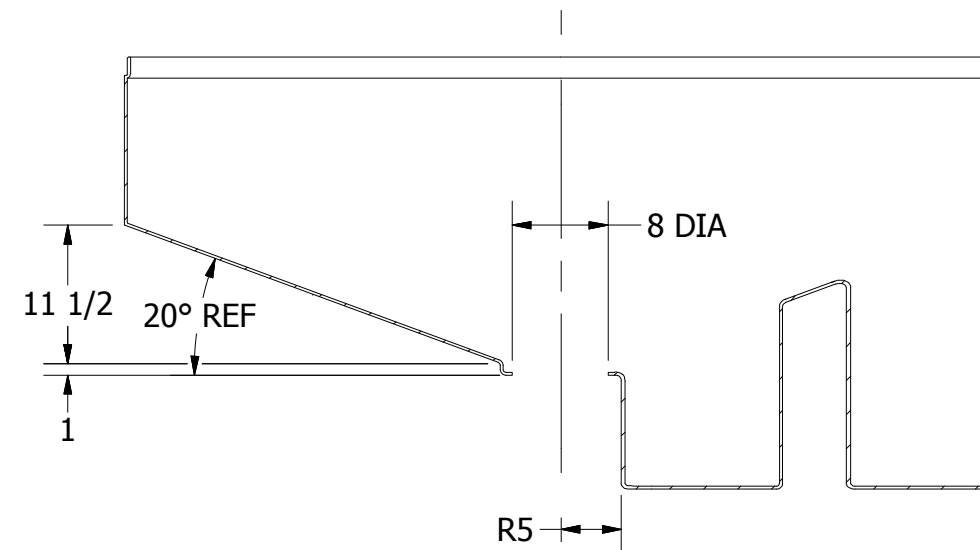
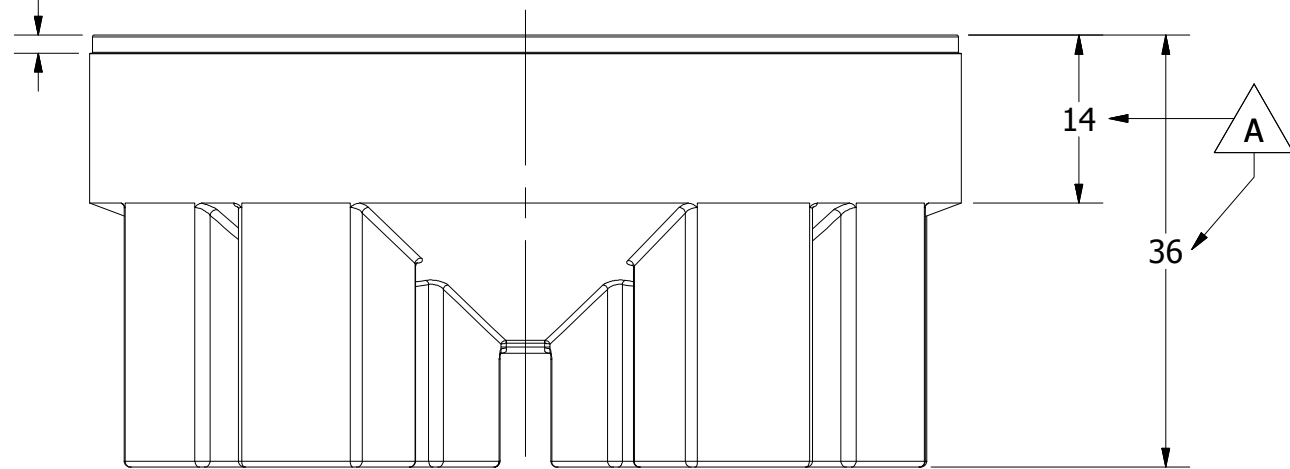


VIEW A-A

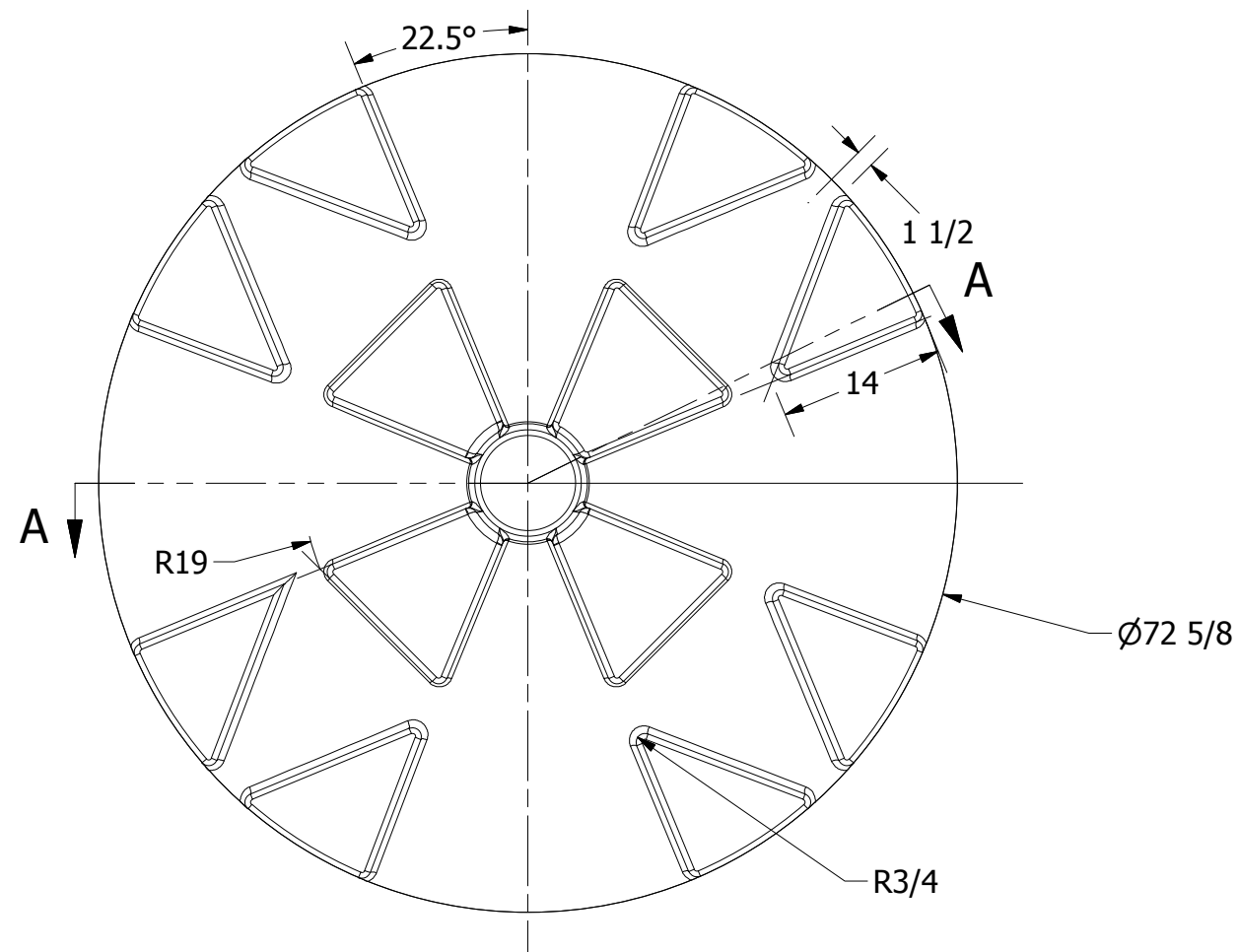



REVISION HISTORY			
REV	DESCRIPTION	DATE	AUTHOR
A	REDRAWN: DIMENSION CORRECTED	6/25/2013	Michael Holden
DRAWN	Jerry Paulson	6/6/1997	 NORWESCO, INC. SAINT BONIFACIUS, MN TITLE 1050 GALLON CONE BOTTOM TANK
CHECKED			
QA			
MFG			
APPROVED			
	SIZE	DWG NO	REV
	B		A
SCALE: 1/16		SHEET 1 OF 1	

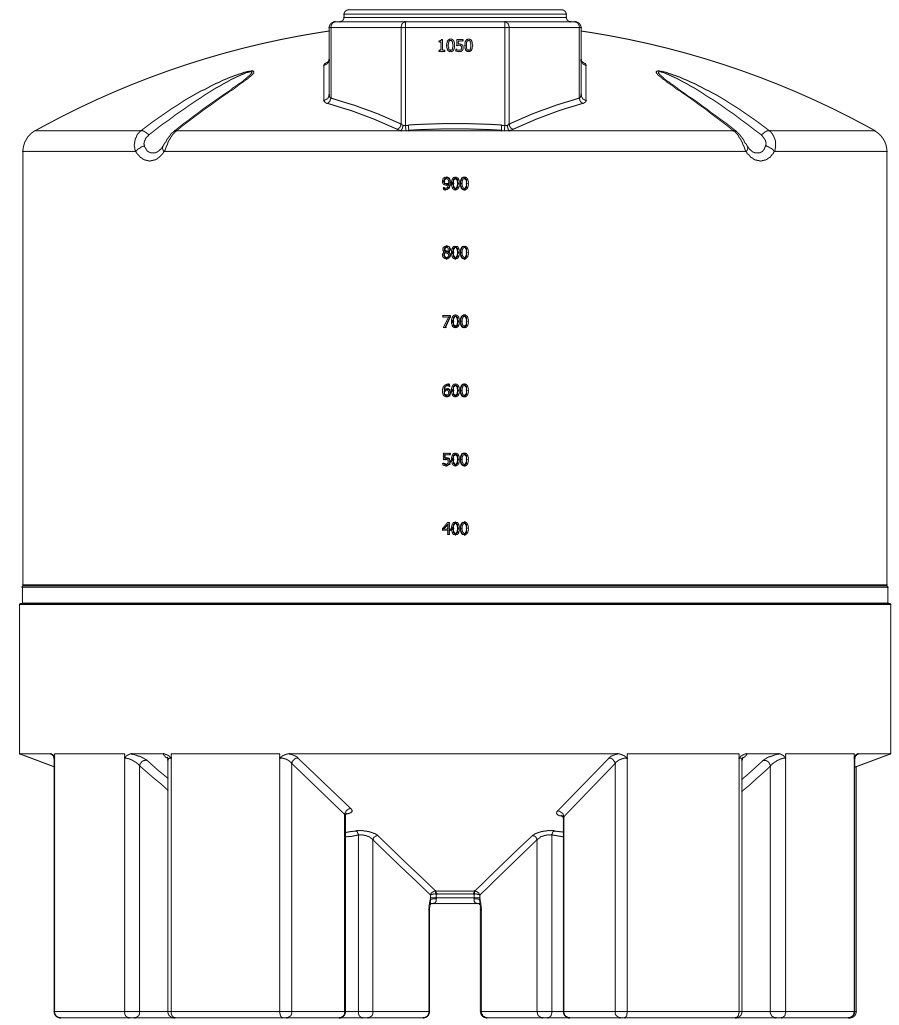
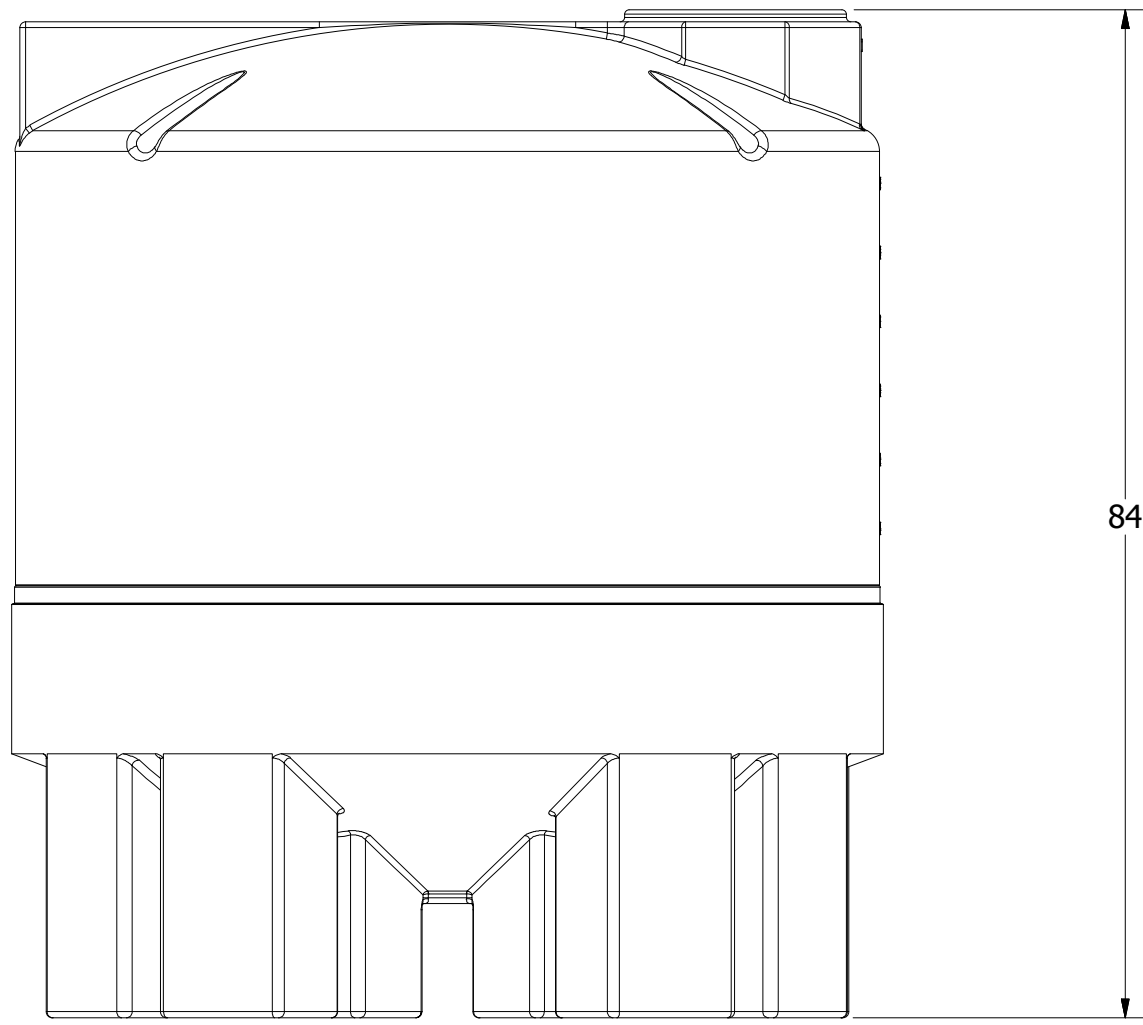
1 1/2 X 1/4 DEEP




SECTION A-A



REVISION HISTORY			
REV	DESCRIPTION	DATE	AUTHOR
A	REDRAWN: DIMENSIONS CORRECTED	6/25/2013	Michael Holden
DRAWN	Jerry Paulson	9/4/1997	 NORWESCO, INC. SAINT BONIFACIUS, MN TITLE STAND, 750 / 1050 CONE BOTTOM TANK
CHECKED			
QA			
MFG			
APPROVED			
	SIZE	DWG NO	REV
	B		A
	SCALE: 1/16		SHEET 1 OF 1



DRAWN Jerry Paulson CHECKED QA MFG APPROVED	8/21/1997	 NORWESCO, INC. SAINT BONIFACIUS, MN TITLE 1050 GALLON CONE BOTTOM TANK & STAND		
		SIZE	DWG NO	REV
		B		
		SCALE: 1/16	SHEET 1 OF 1	