


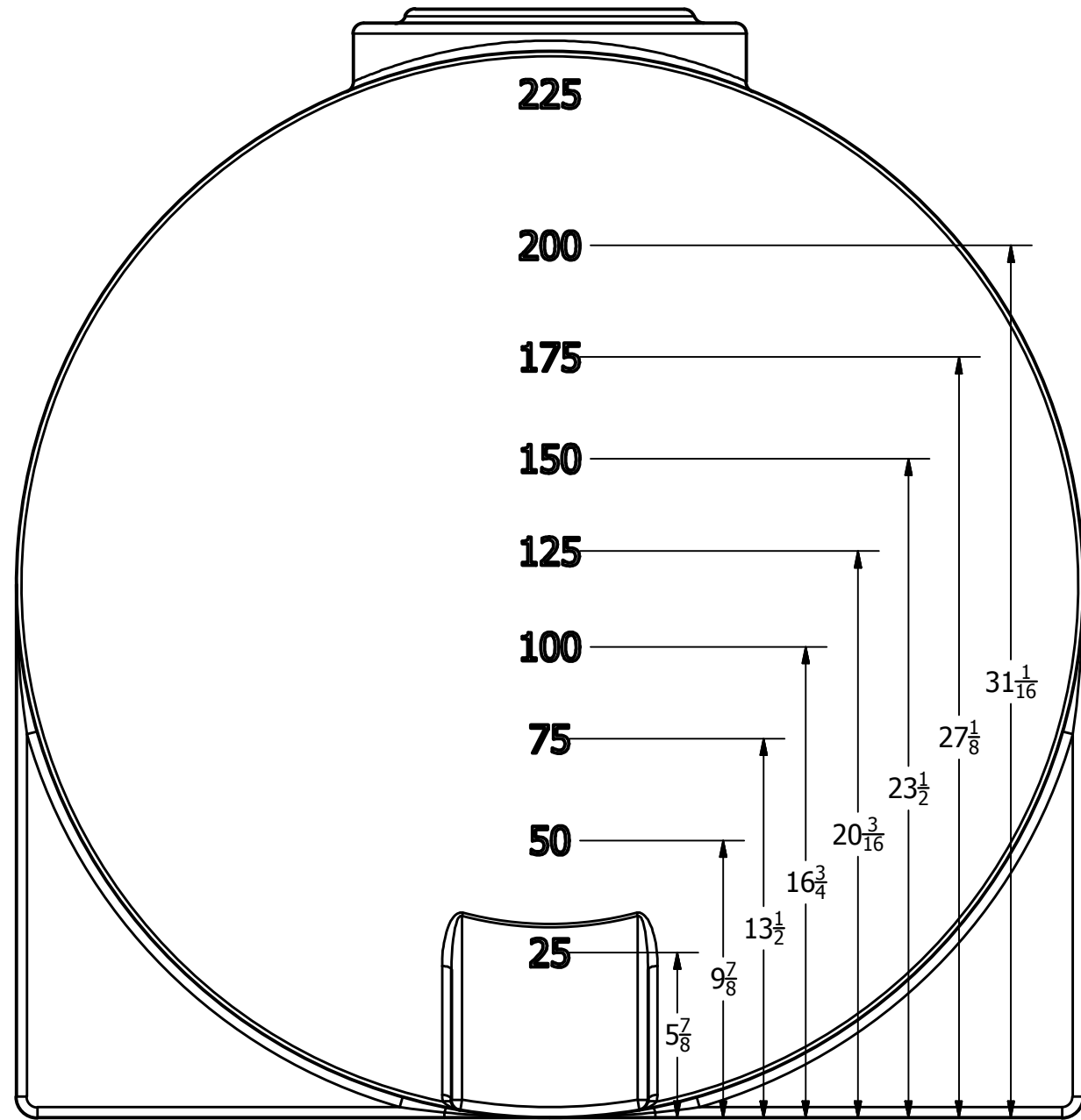



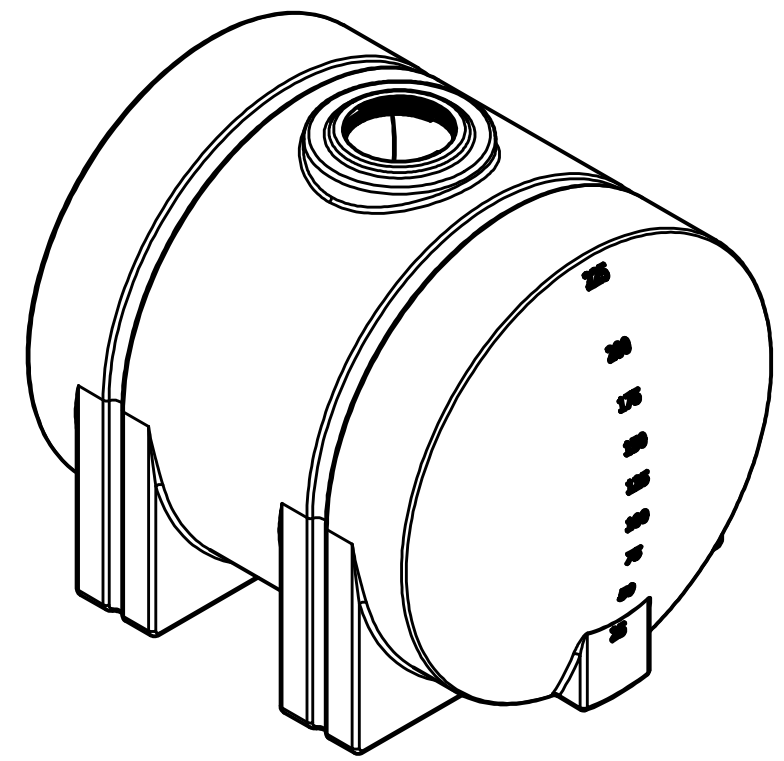
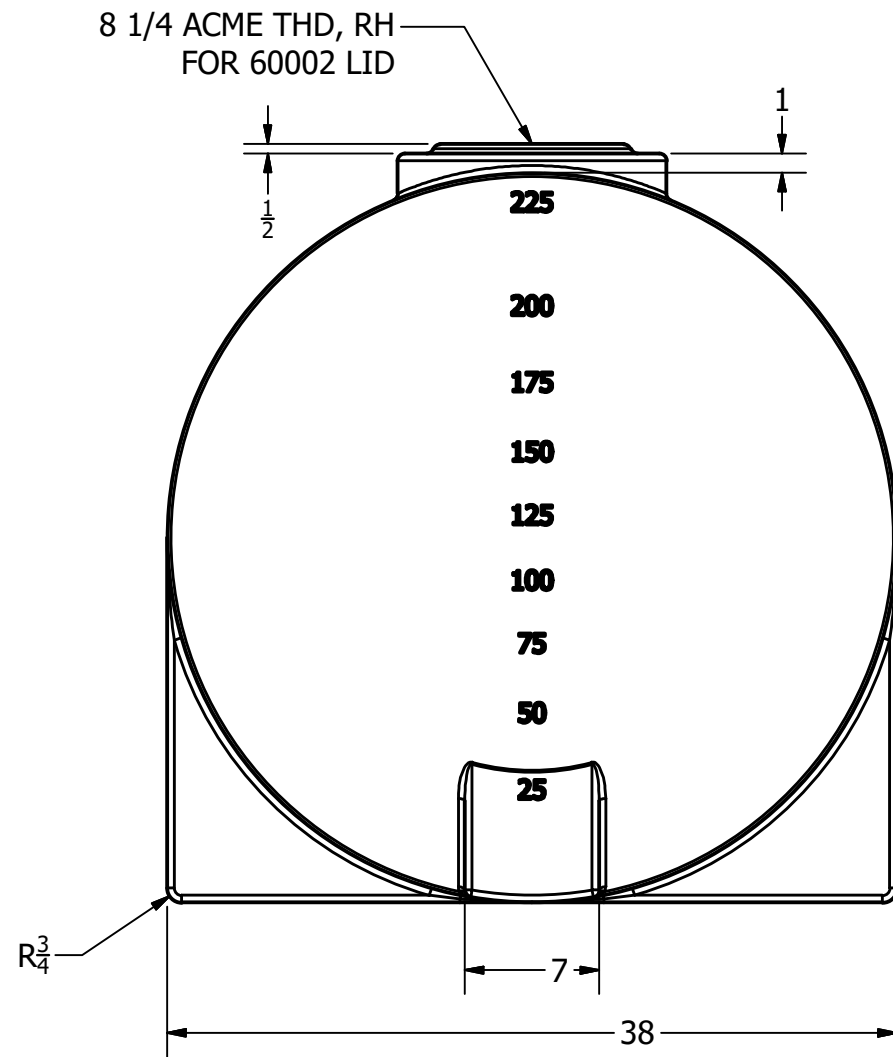
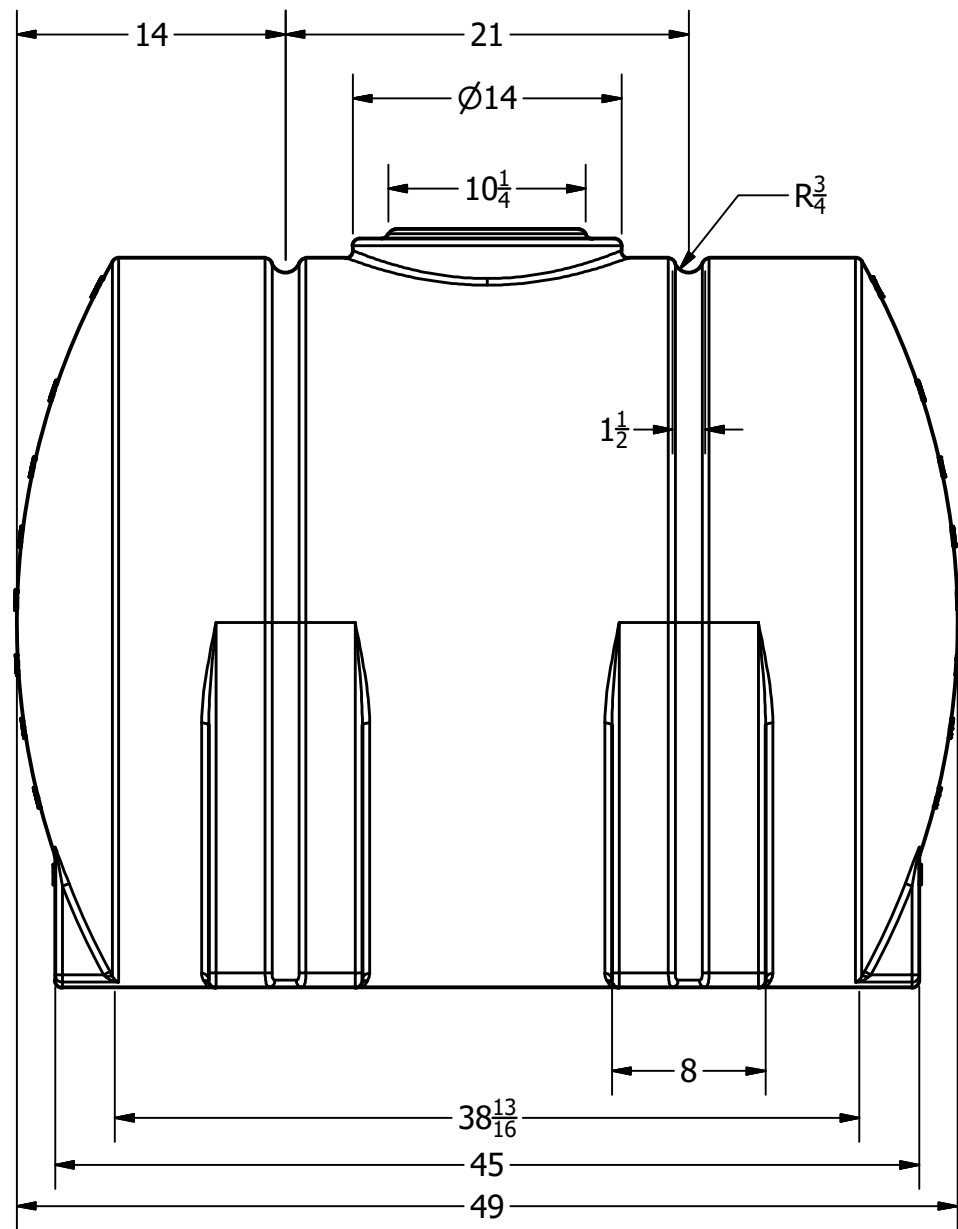
FOB:
 GRIFFIN, GA
 ST. BONIFACIUS, MN
 LANCASTER, OH 
 TOOELE, UT
 WASHOUGAL, WA
 HANFORD, CA
 SHELDON, IA 

REVISION HISTORY			
REV	DESCRIPTION	DATE	AUTHOR
A	OH ADDED	1/4/2005	
B	IA ADDED	6/21/2006	
C	REDRAWN	7/19/2013	Michael Holden
DRAWN Jerry Paulson		3/7/1996	 NORWESCO, INC. SAINT BONIFACIUS, MN TITLE 225 GALLON HORIZONTAL LEG TANK
CHECKED			
QA			
MFG			
APPROVED			
SIZE B		DWG NO	REV C
SCALE: 1/16		SHEET 1 OF 2	




GALLONAGE MARKS ON BOTH ENDS

DRAWN Jerry Paulson CHECKED QA MFG APPROVED	3/7/1996	 NORWESCO, INC. SAINT BONIFACIUS, MN TITLE 225 GALLON HORIZONTAL LEG TANK		
		SIZE B	DWG NO	REV C
		SCALE: 1/16	SHEET 2 OF 2	



FOB OWEGO, NY FAIRFIELD, TX PETERSBURG, TX & SHAWNEE, OK

REVISION HISTORY			
REV	DESCRIPTION	DATE	AUTHOR
A	OH DELETED	1/4/2005	
B	FAIRFIELD TX ADDED	4/19/2007	
C	REDRAWN	7/12/2013	Michael Holden
D	PETERSBURG TX ADDED	9/27/2018	LO

DRAWN Jerry Paulson	3/7/1996	 NORWESCO NORWESCO, INC. SAINT BONIFACIUS, MN TITLE		
CHECKED				
QA		225 GALLON HORIZONTAL LEG TANK		
MFG				
APPROVED				
		SIZE B	DWG NO	REV D
		SCALE: 1/16	SHEET 1 OF 2	