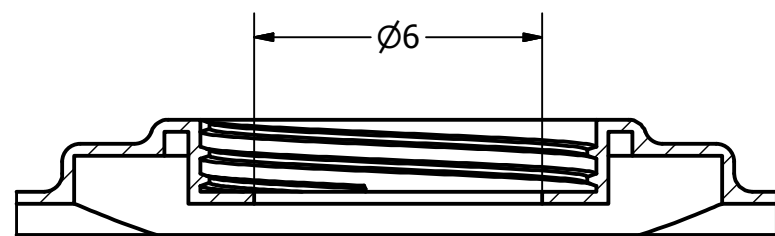
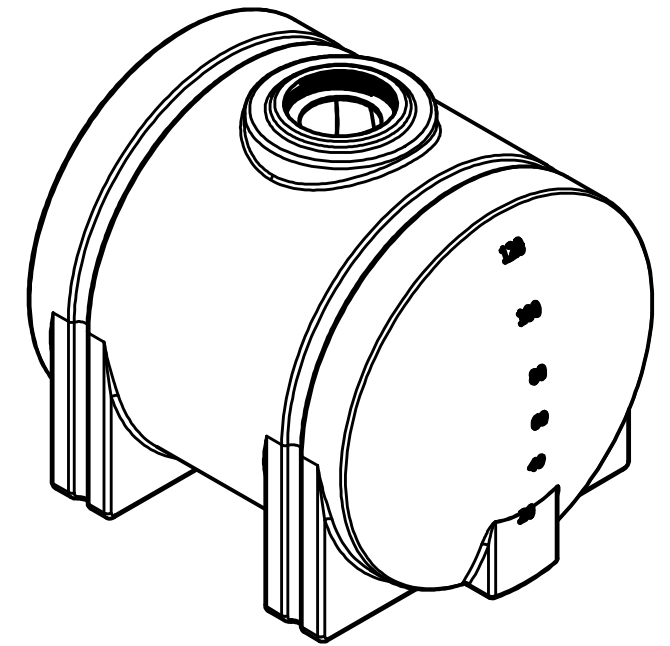
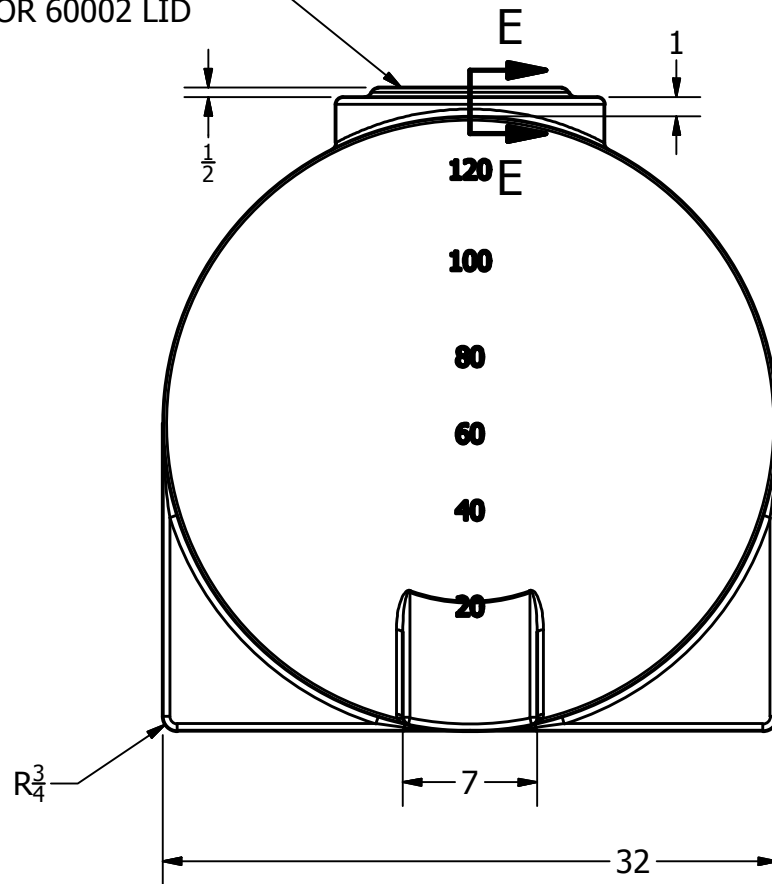

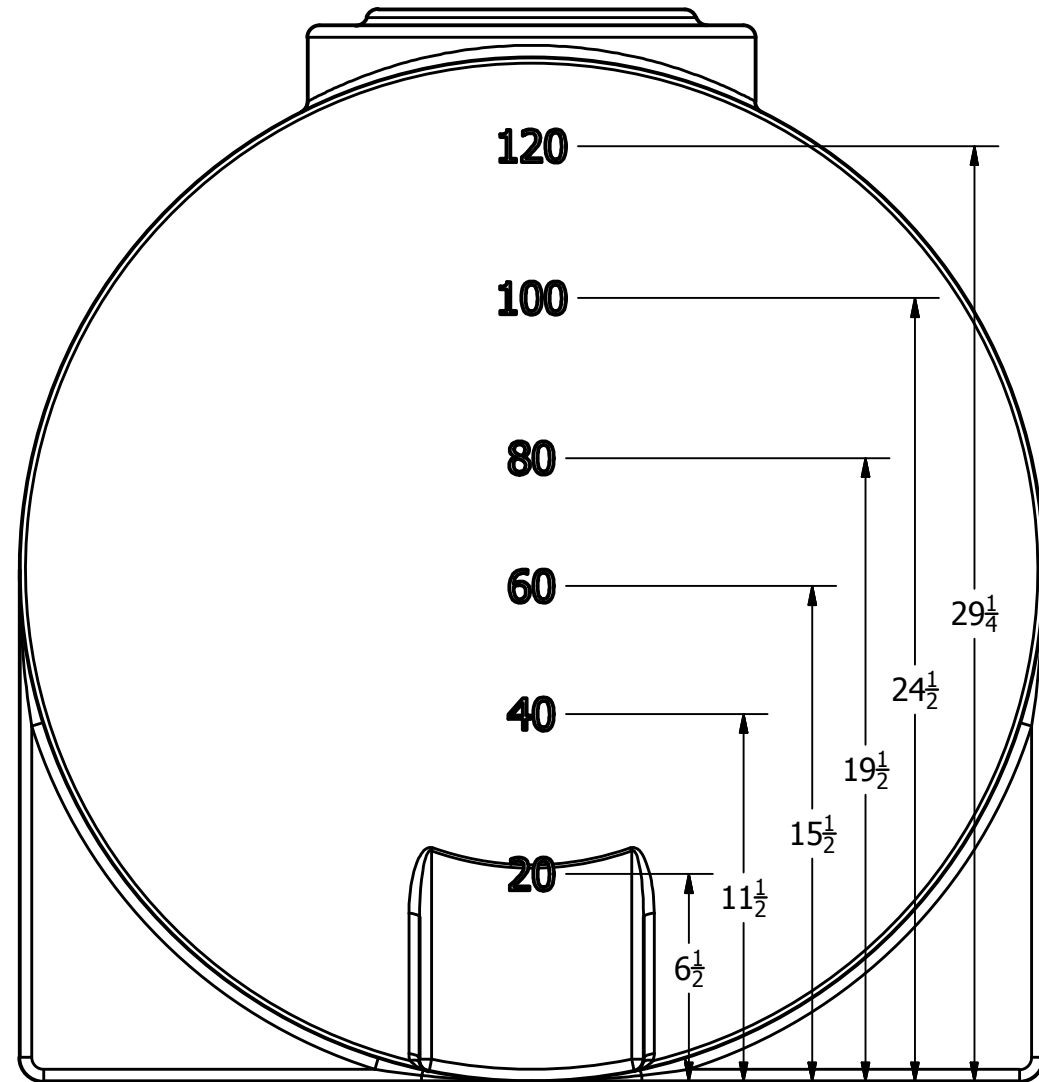


8 1/4 ACME THD, RH
 FOR 60002 LID




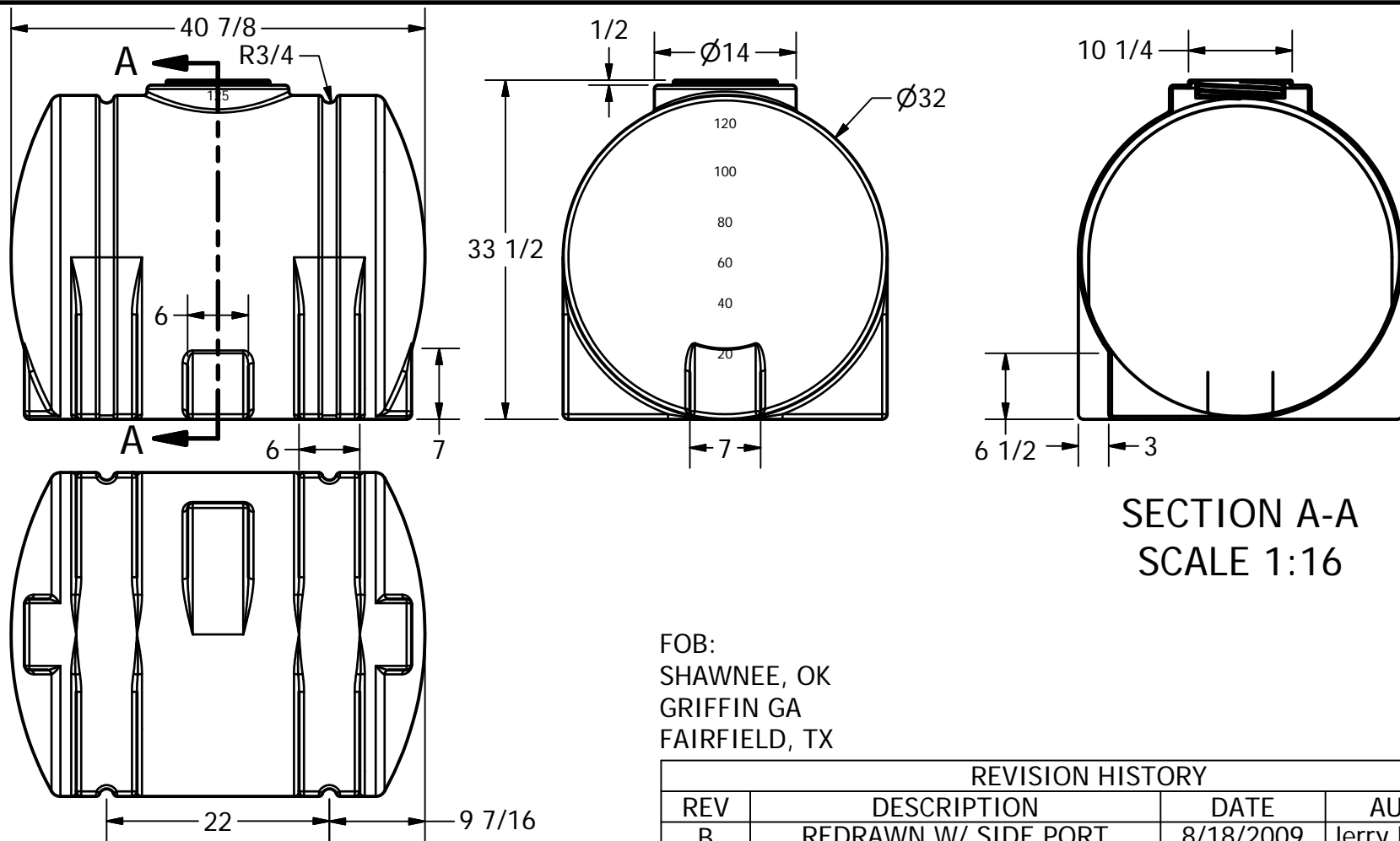
SECTION E-E
 SCALE 1:4

REVISION HISTORY				
REV	DESCRIPTION	DATE	AUTHOR	
A	REDRAWN	8/14/1997		
B	REDRAWN	7/19/2013	Michael Holden	
DRAWN Jerry Paulson		8/14/1997	 NORWESCO, INC. SAINT BONIFACIUS, MN TITLE 125 GALLON HORIZONTAL LEG TANK	
CHECKED				
QA				
MFG				
APPROVED				
		SIZE B	DWG NO	REV B
		SCALE: 1/16	SHEET 1 OF 2	



GALLON MARKS ON BOTH ENDS

DRAWN Jerry Paulson	8/14/1997			
CHECKED		NORWESCO, INC. SAINT BONIFACIUS, MN		
QA		TITLE		
MFG		125 GALLON HORIZONTAL LEG TANK		
APPROVED				
		SIZE B	DWG NO	REV B
		SCALE: 1/16	SHEET 2 OF 2	



SECTION A-A
SCALE 1:16

FOB:
SHAWNEE, OK
GRIFFIN GA
FAIRFIELD, TX

REVISION HISTORY			
REV	DESCRIPTION	DATE	AUTHOR
B	REDRAWN W/ SIDE PORT	8/18/2009	Jerry Paulson

DRAWN Jerry Paulson	6/23/2009
CHECKED	
QA	
MFG	
APPROVED	
SIZE A	
SCALE: 1/16	



NORWESCO, INC., ST. BONIFACIUS, MN

TITLE

125 GALLON HORIZONTAL LEG TANK

SIZE A	DWG NO	REV B
------------------	--------	-----------------

