
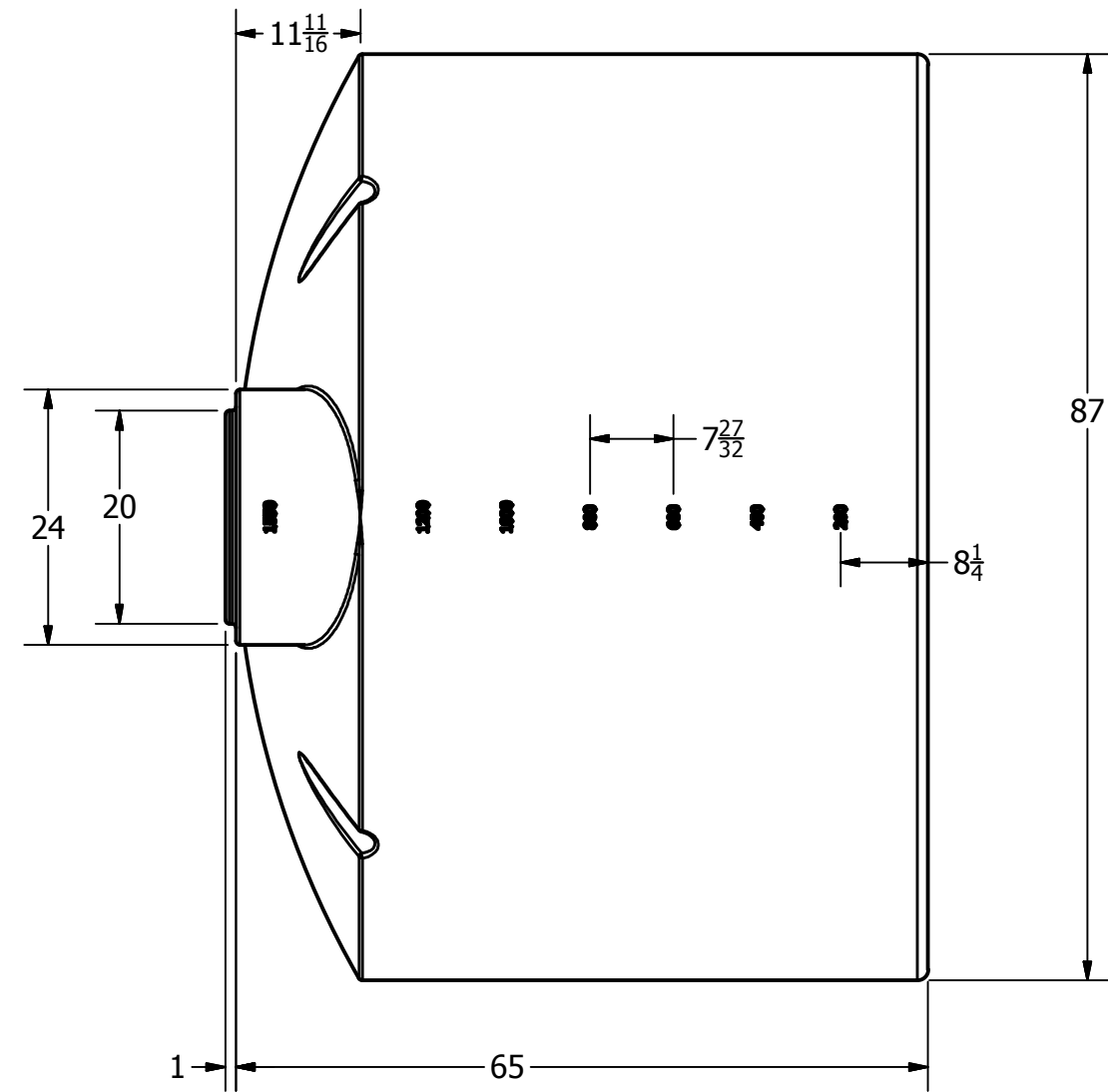
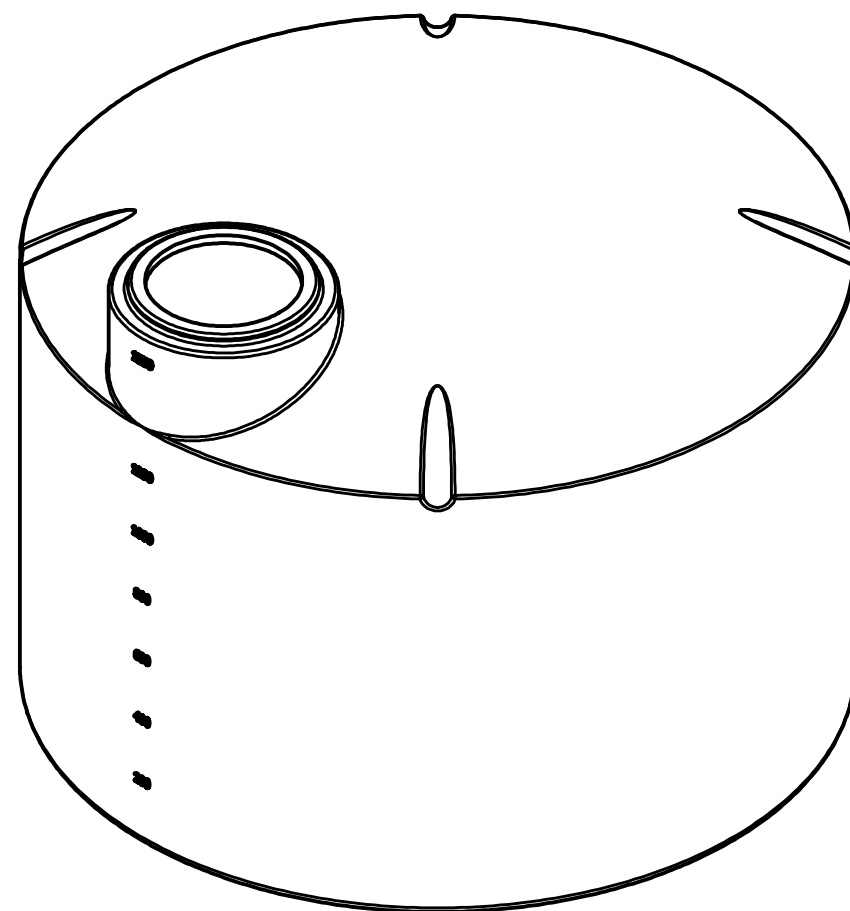
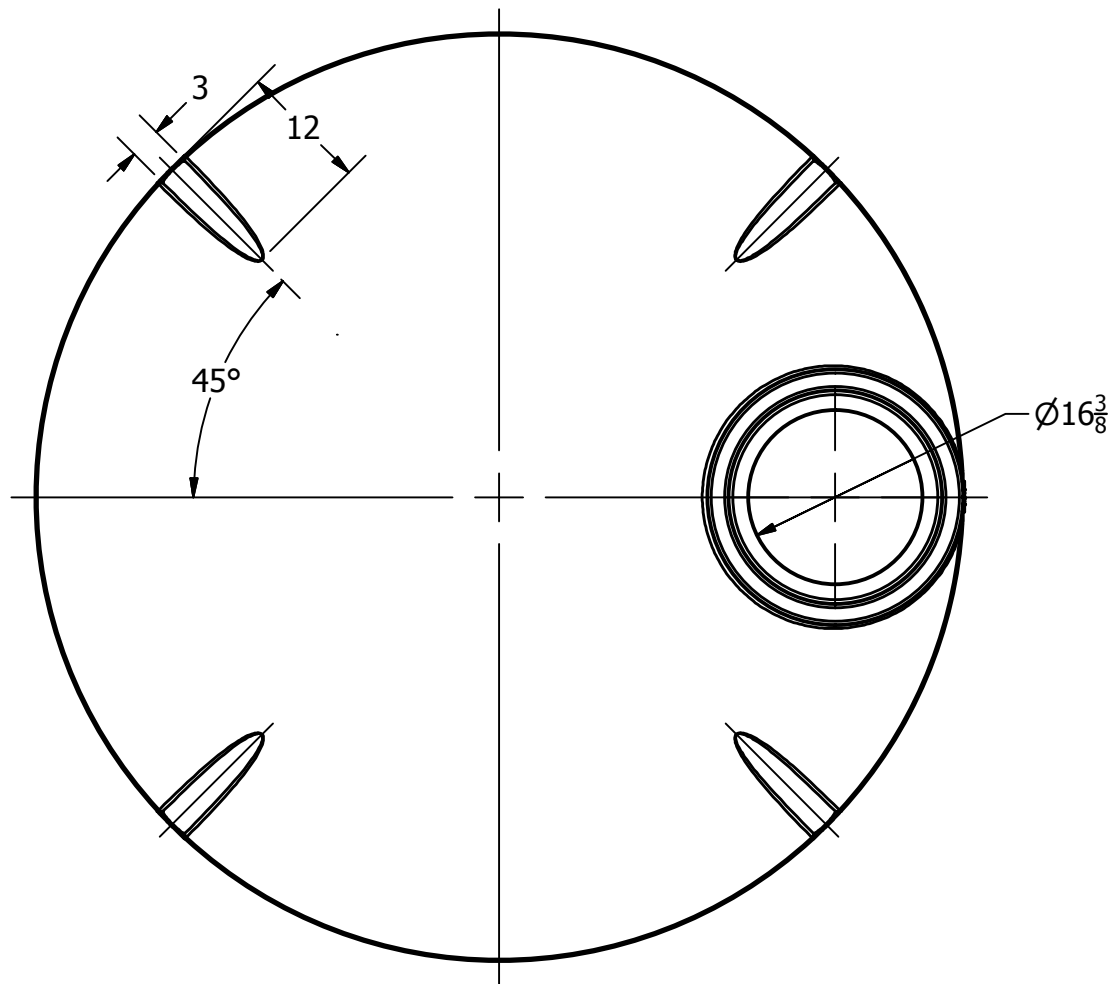



FOB SHELDON, IA

REVISION HISTORY				
REV	DESCRIPTION	DATE	AUTHOR	
A	REDRAWN	7/9/2013	Michael Holden	
DRAWN Jerry Paulson		8/10/2000	 NORWESCO, INC. SAINT BONIFACIUS, MN TITLE 1550 GALLON VERTICAL TANK	
CHECKED				
QA				
MFG				
APPROVED				
		SIZE B	DWG NO	REV A
		SCALE: 1/16	SHEET 1 OF 1	



REVISION HISTORY				
REV	DESCRIPTION	DATE	AUTHOR	
A	REDRAWN	1/2/1997		
B	REDRAWN	7/9/2013	Michael Holden	
DRAWN Jerry Paulson		1/2/1997	 NORWESCO, INC. SAINT BONIFACIUS, MN TITLE 1550 GALLON VERTICAL TANK	
CHECKED				
QA				
MFG				
APPROVED				
		SIZE B	DWG NO	REV B
		SCALE: 1/16	SHEET 1 OF 1	