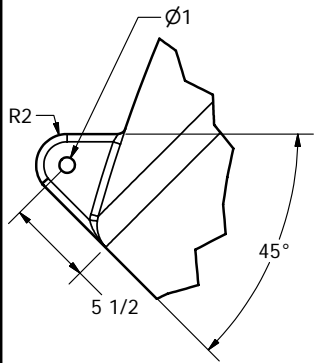
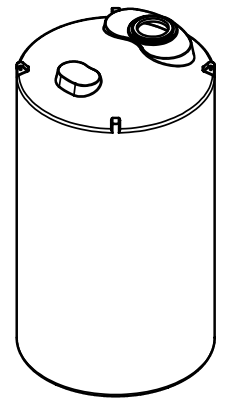
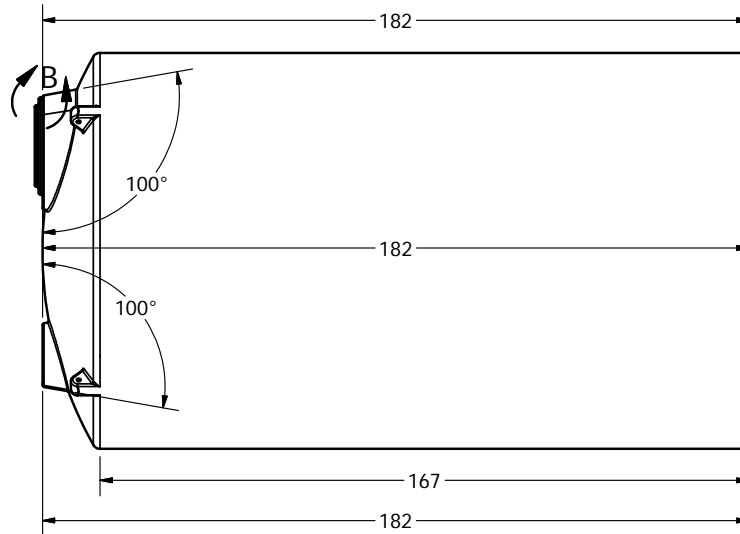
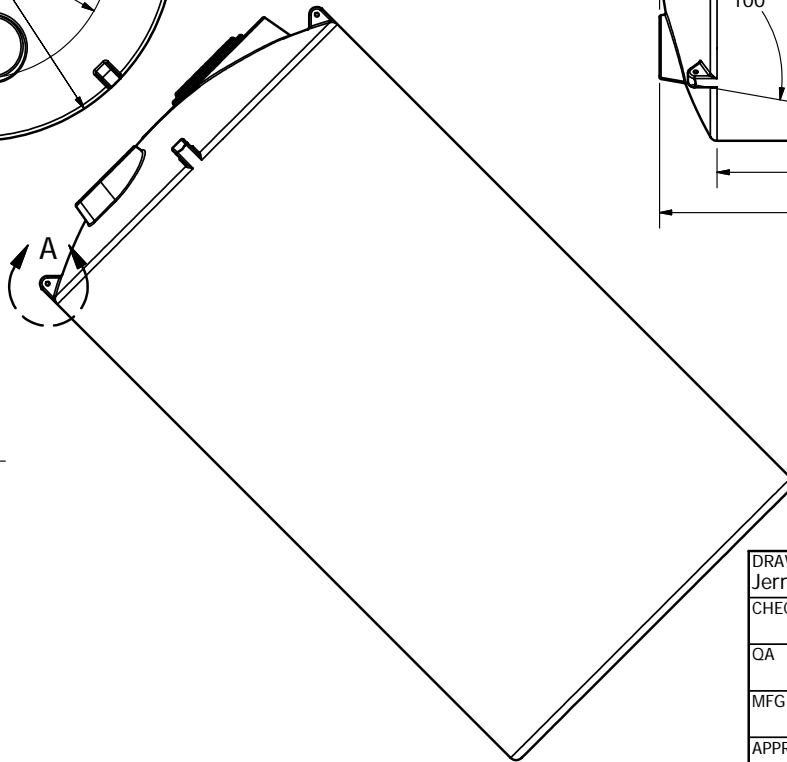



DETAIL B  
SCALE 1 / 8

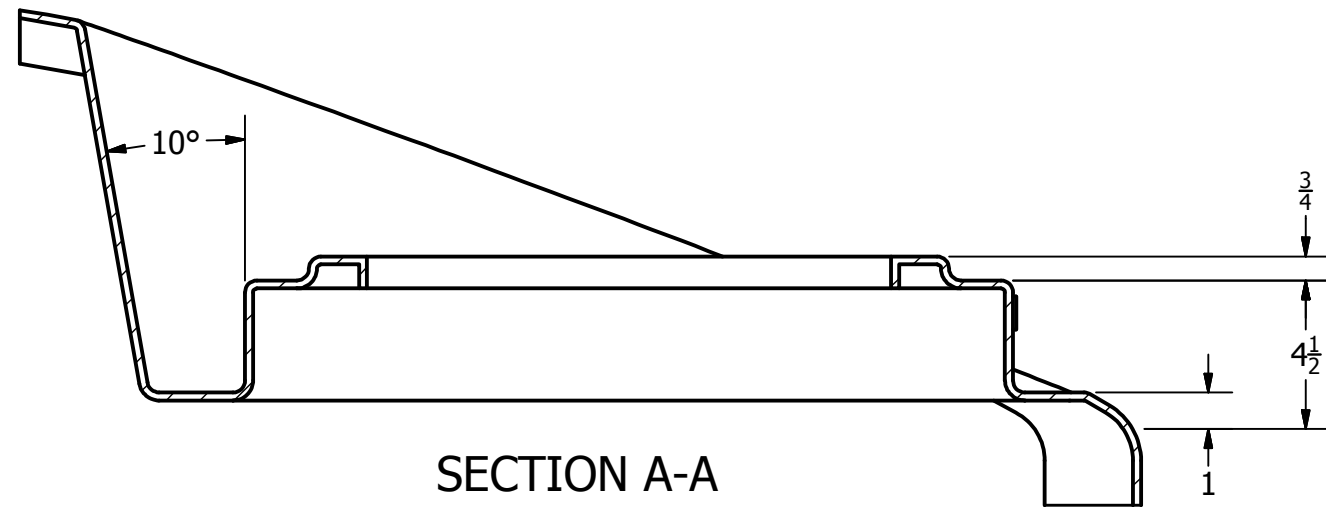
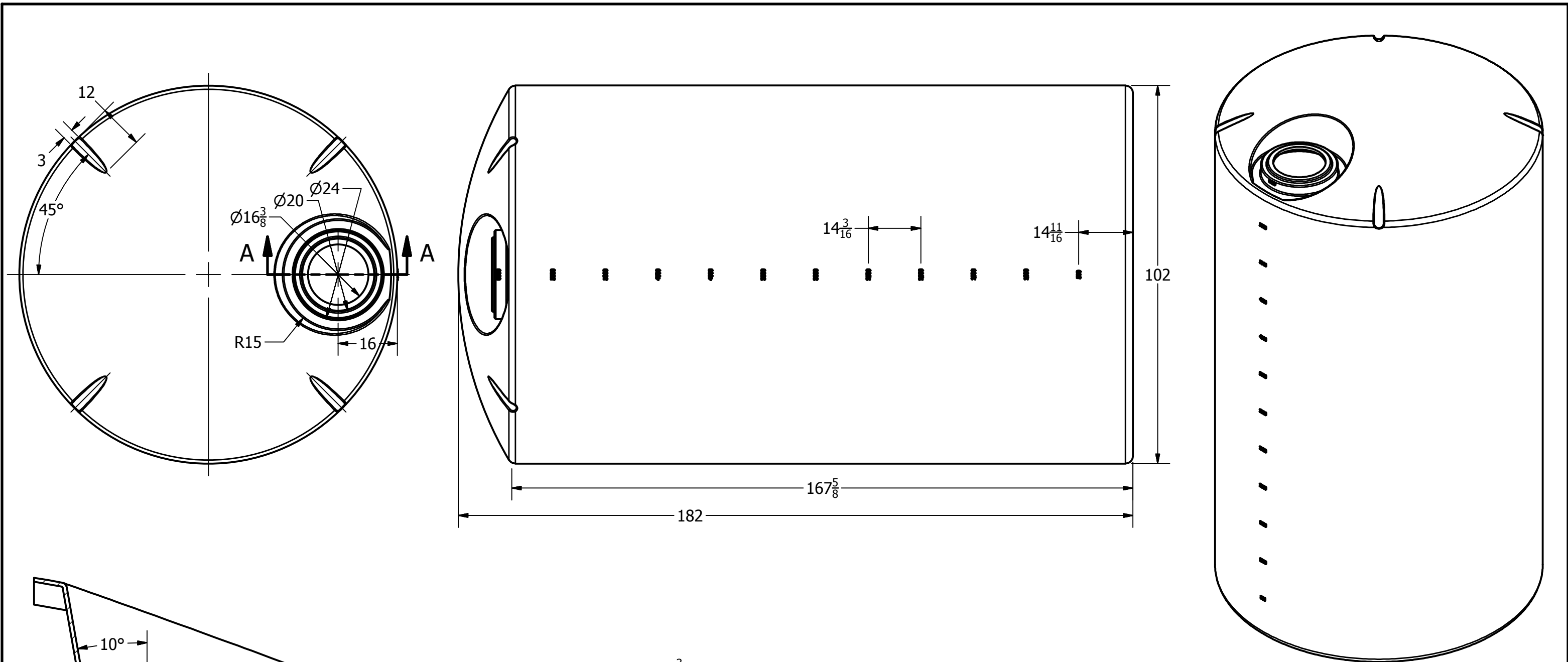


DETAIL A  
SCALE 1 / 8




FOB FAIRFIELD, TX

DRAWN Jerry Paulson	11/28/2006		
CHECKED		NORWESCO, INC., ST. BONIFACIUS, MN	
QA		TITLE	
MFG		6000 GALLON VERTICAL INDUSTRIAL TANK	
APPROVED		SIZE B	REV
		DWG NO	
		SCALE: 1/32	SHEET 1 OF 1



SECTION A-A  
SCALE 1:6

REVISION HISTORY			
REV	DESCRIPTION	DATE	AUTHOR
A	REDRAWN	8/14/1997	
B	REDRAWN	7/16/2013	Michael Holden
DRAWN	Jerry Paulson	8/14/1997	 NORWESCO, INC. SAINT BONIFACIUS, MN TITLE <b>6000 GALLON VERTICAL STORAGE TANK</b>
CHECKED			
QA			
MFG			
APPROVED			
	SIZE	DWG NO	REV
	<b>B</b>		<b>B</b>
	SCALE: 1/16		SHEET 1 OF 1