
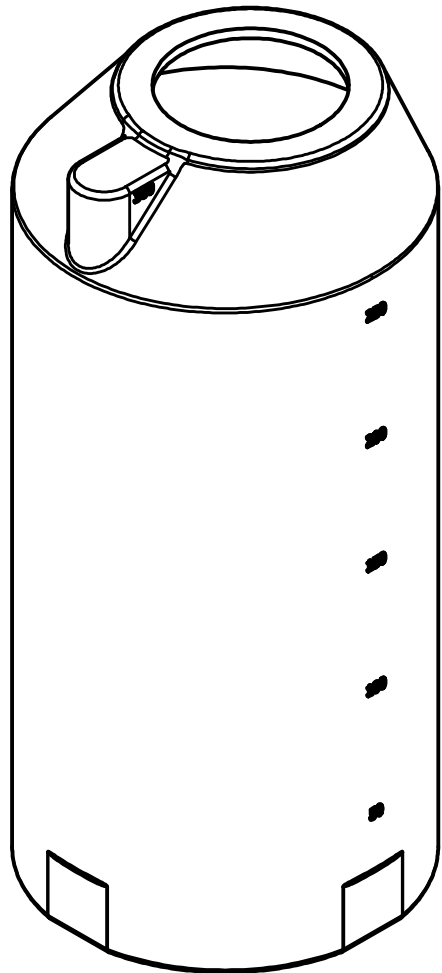
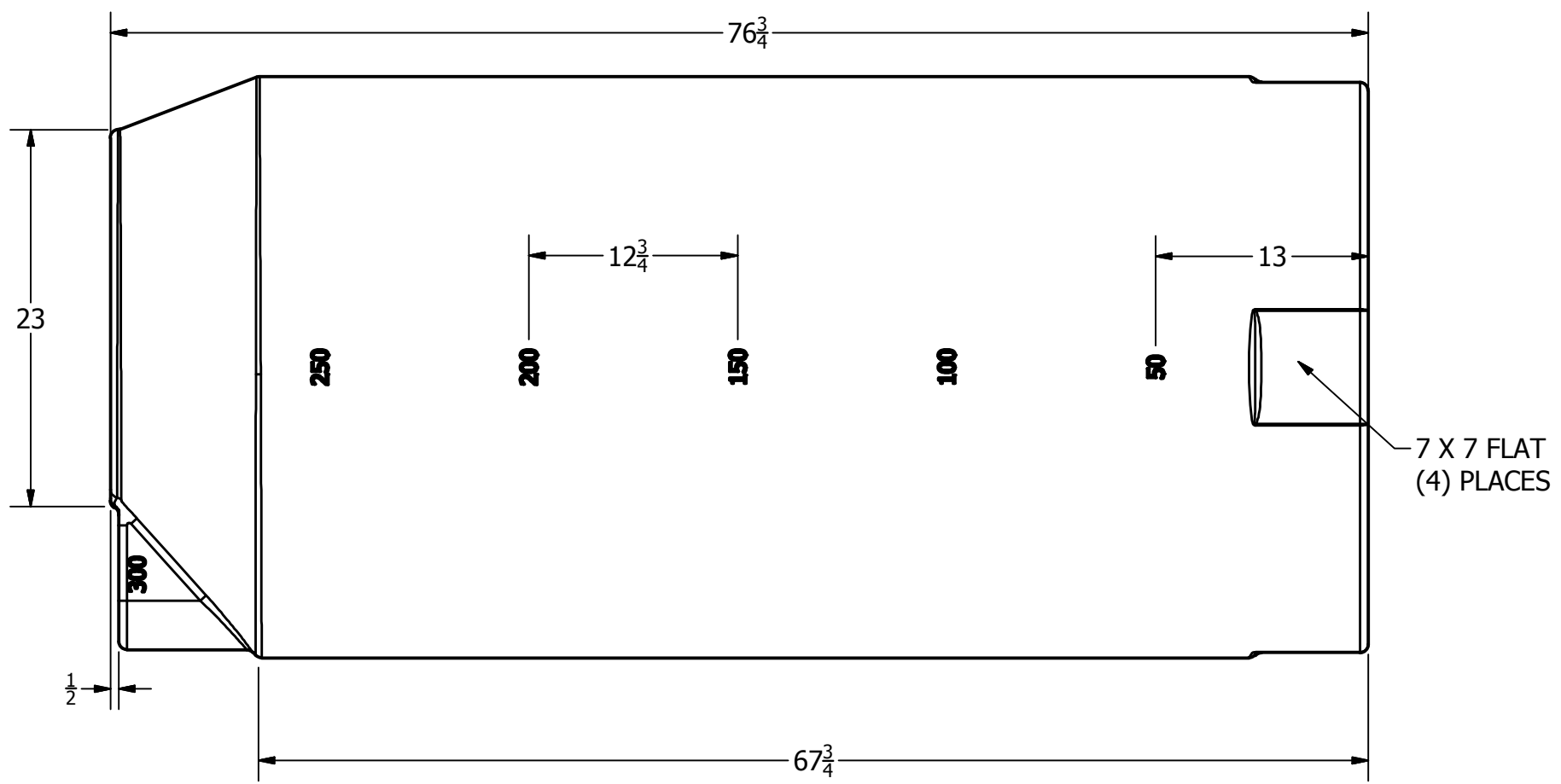
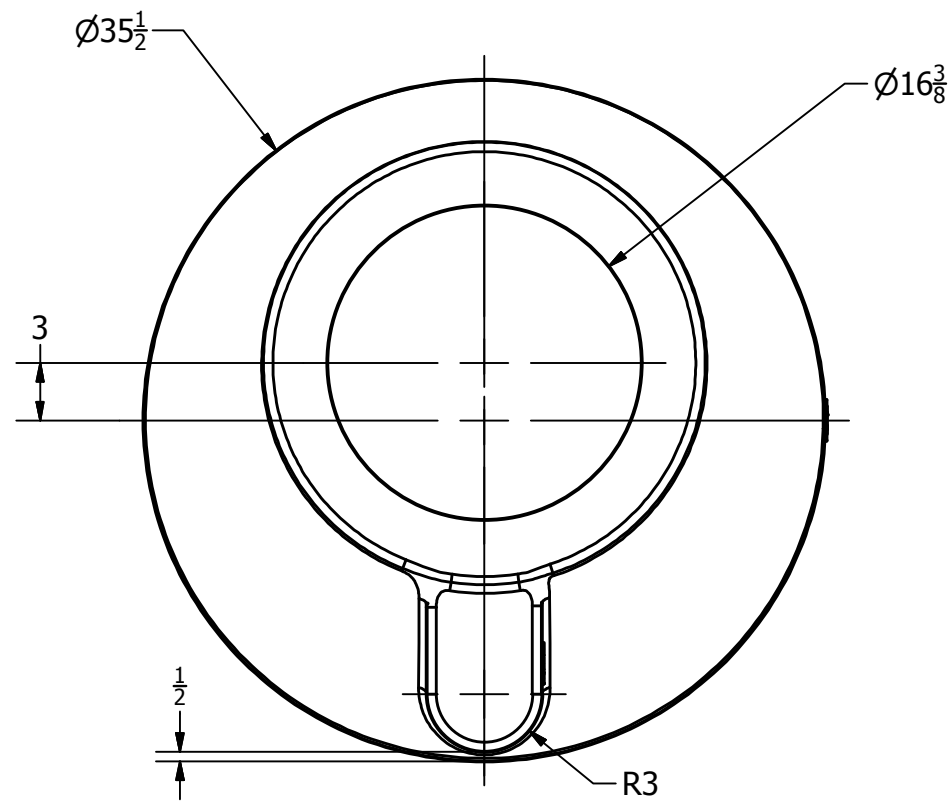



REVISION HISTORY				
REV	DESCRIPTION	DATE	AUTHOR	
A	REDRAWN	11/9/1995		
B	REDRAWN	7/1/2013	Michael Holden	
DRAWN Jerry Paulson		11/9/1995	 NORWESCO, INC. SAINT BONIFACIUS, MN TITLE 300 GALLON VERTICAL TANK	
CHECKED				
QA				
MFG				
APPROVED				
		SIZE B	DWG NO	REV B
		SCALE: 1/16	SHEET 1 OF 1	



FOB MN, IA & FAIRFIELD, TX

REVISION HISTORY				
REV	DESCRIPTION	DATE	AUTHOR	
A	REVISED & REDRAWN	3/31/2006		
B	REDRAWN	7/3/2013	Michael Holden	
DRAWN Jerry Paulson		3/31/2006	 NORWESCO, INC. SAINT BONIFACIUS, MN TITLE 300 GALLON VERTICAL TANK	
CHECKED				
QA				
MFG				
APPROVED				
		SIZE B	DWG NO	REV B
		SCALE: 1/16	SHEET 1 OF 1	