
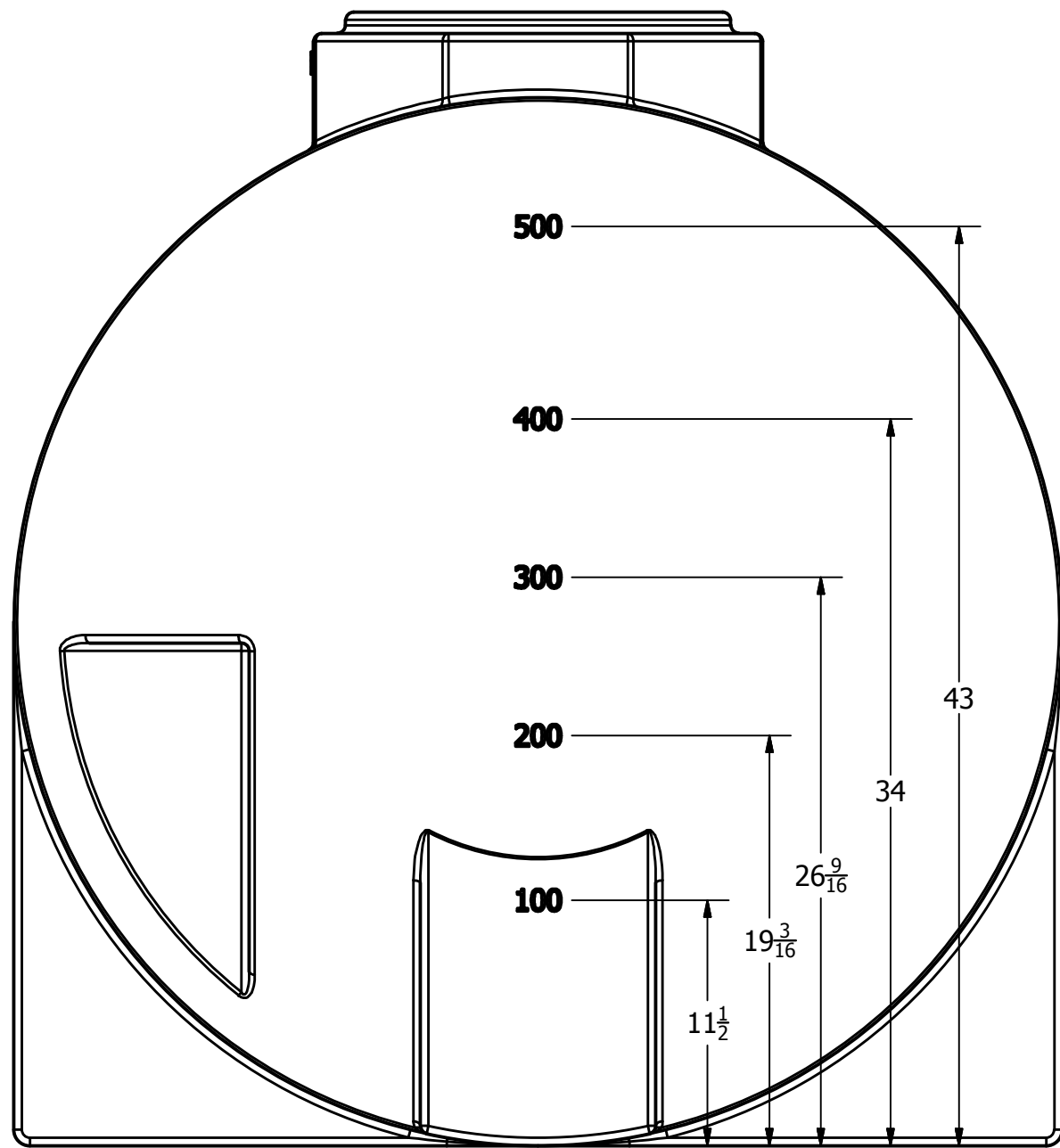

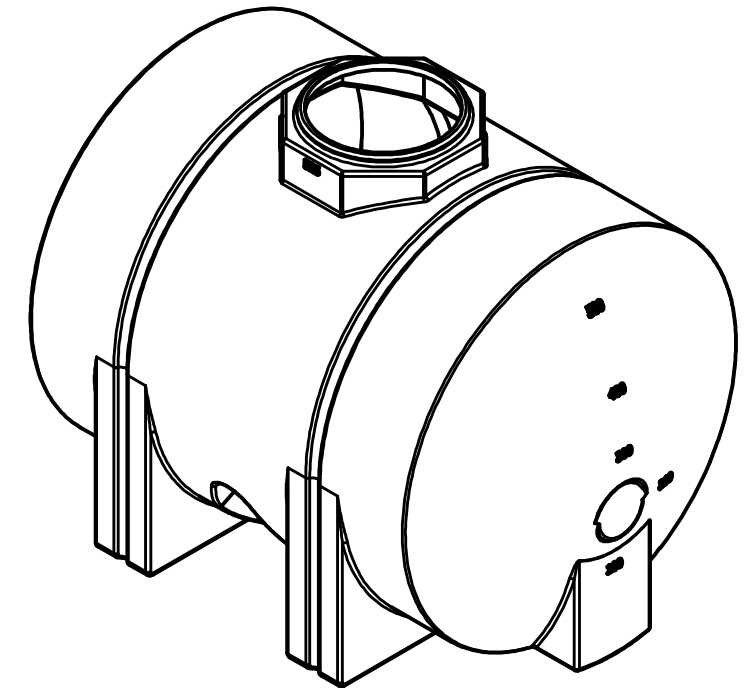
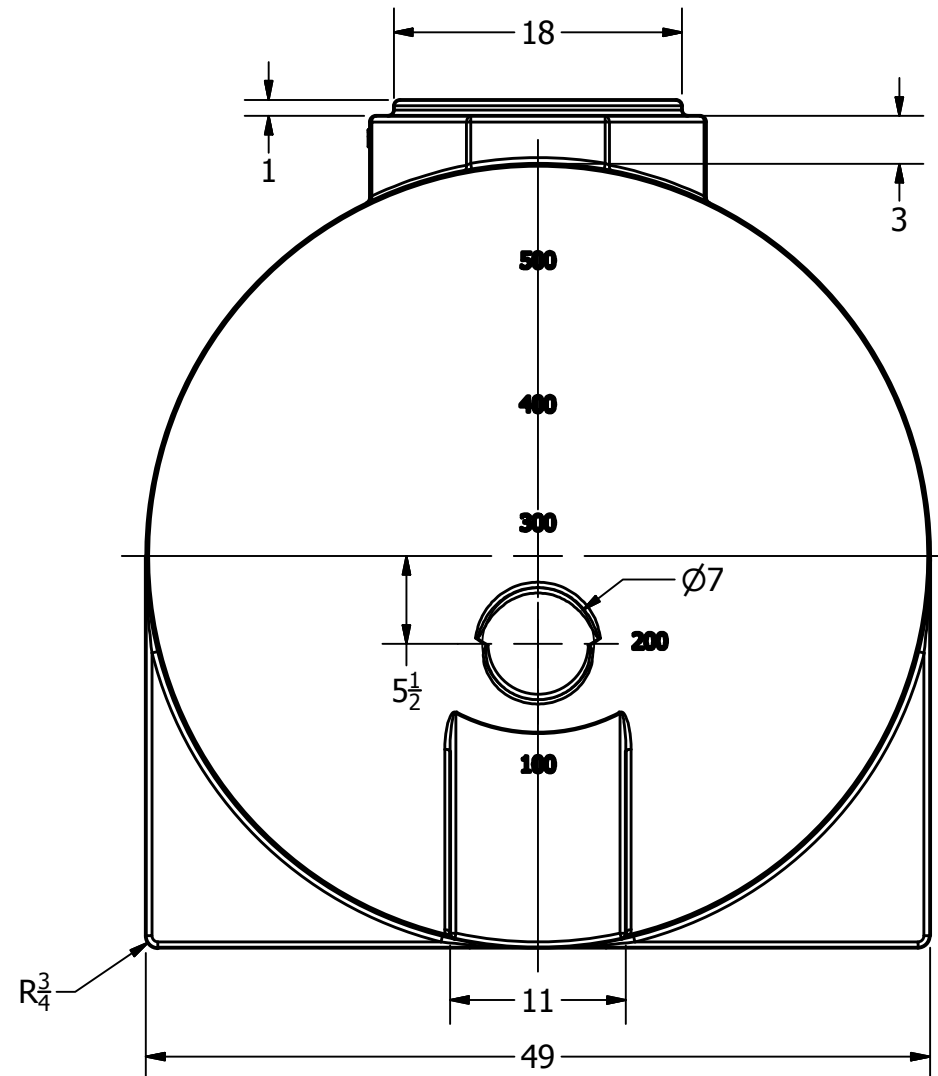
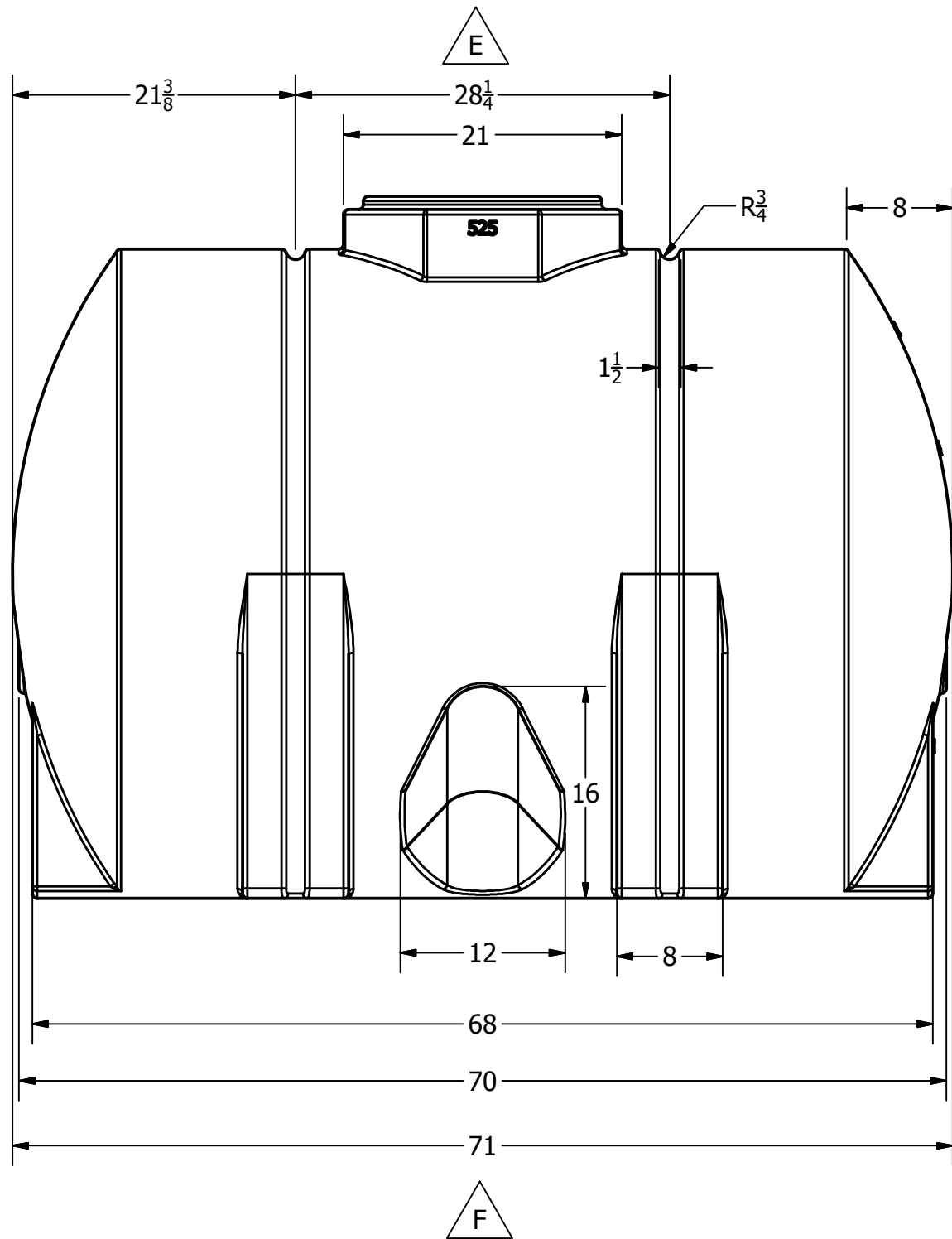


REVISION HISTORY				
REV	DESCRIPTION	DATE	AUTHOR	
C	REDRAWN	2/10/1997		
C1	CORRECTED, WAS 27-1/2	9/23/2002		
D	WAS 72 1/2	12/3/2004		
E	REDRAWN	7/12/2013	Michael Holden	
DRAWN Jerry Paulson		2/10/1997	 NORWESCO NORWESCO, INC. SAINT BONIFACIUS, MN TITLE 525 GALLON HORIZONTAL TANK	
CHECKED				
QA				
MFG				
APPROVED				
		SIZE B	DWG NO	REV E
		SCALE: 1/16	SHEET 1 OF 2	




GALLON MARKS
ON BOTH ENDS

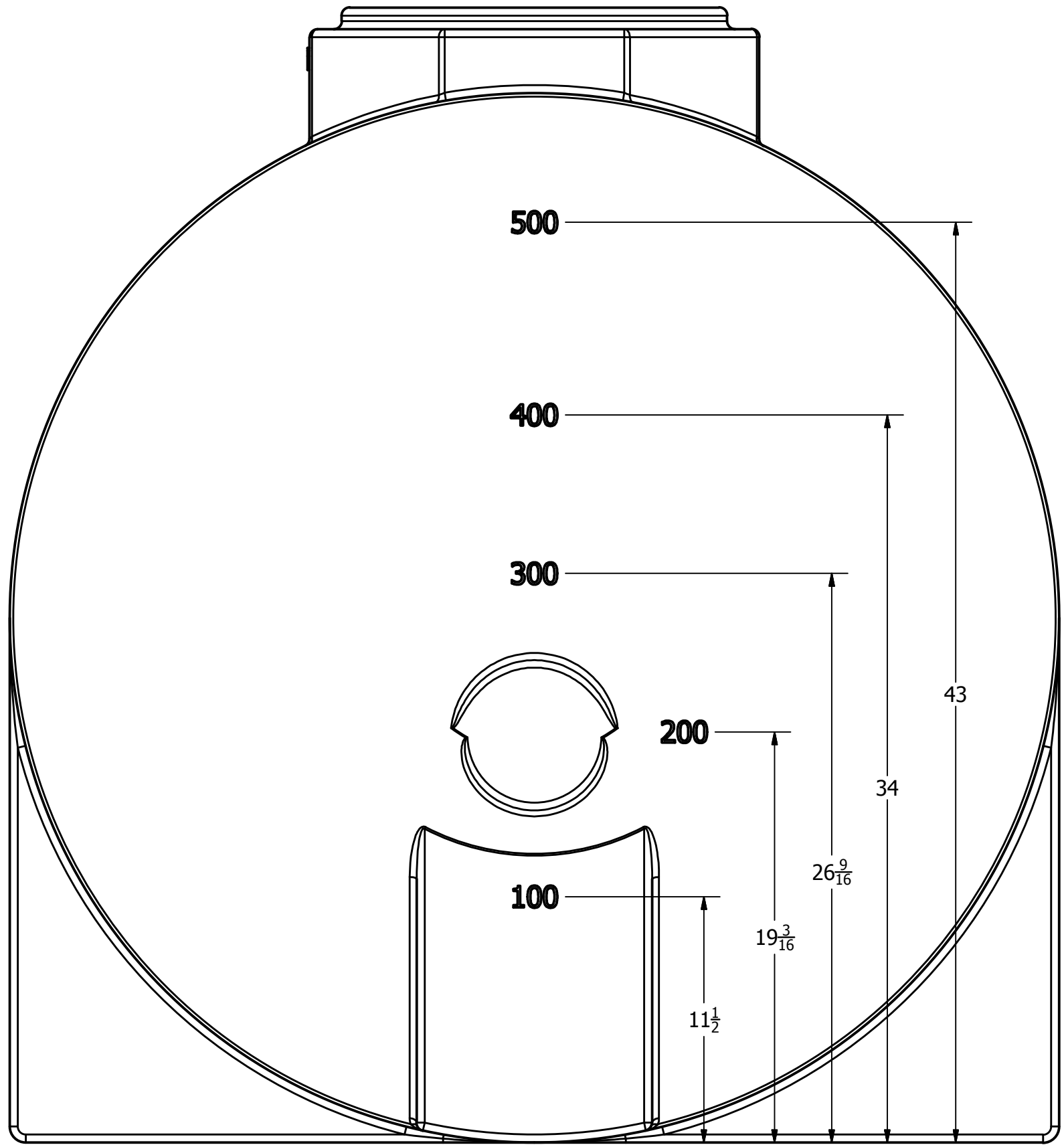
DRAWN Jerry Paulson	2/10/1997	 NORWESCO NORWESCO, INC. SAINT BONIFACIUS, MN		
CHECKED		TITLE		
QA		525 GALLON HORIZONTAL TANK		
MFG				
APPROVED				
		SIZE B	DWG NO	REV E
		SCALE: 1/16	SHEET 2 OF 2	




REVISION HISTORY			
REV	DESCRIPTION	DATE	AUTHOR
D	REDRAWN, SPARGER REV'D	5/3/2001	
E	CORRECTED, WAS 27-1/2	9/23/2002	
F	WAS 72 1/2	12/3/2004	
G	ADDED SHAWNEE, OK	7/22/2009	
H	REDRAWN	7/12/2013	Michael Holden

DRAWN Jerry Paulson	5/3/2001	 NORWESCO, INC. SAINT BONIFACIUS, MN TITLE		
CHECKED				
QA		525 GALLON HORIZONTAL TANK		
MFG				
APPROVED		SIZE B	DWG NO	REV H
		SCALE: 1/16	SHEET 1 OF 2	

FOB GRIFFIN, GA FAIRFIELD, TX & SHAWNEE, OK



DRAWN Jerry Paulson	5/3/2001	 NORWESCO, INC. SAINT BONIFACIUS, MN		
CHECKED		TITLE		
QA		525 GALLON HORIZONTAL TANK		
MFG				
APPROVED				
		SIZE	DWG NO	REV
		B		H
		SCALE: 1/16	SHEET 2 OF 2	