
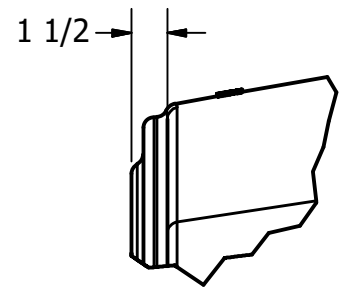
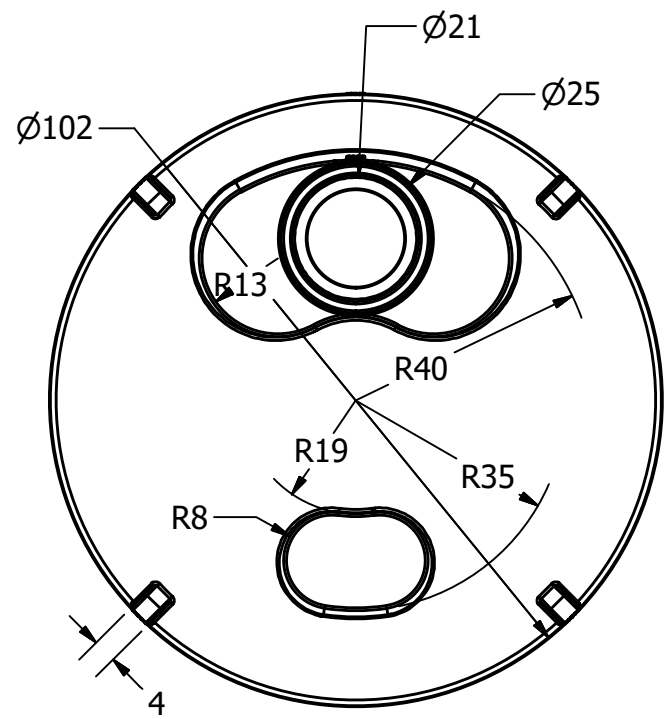
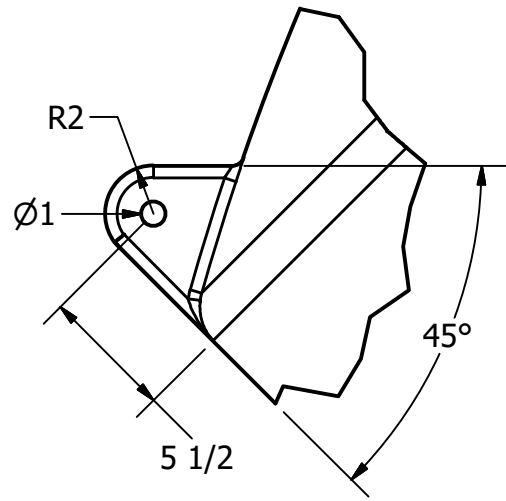
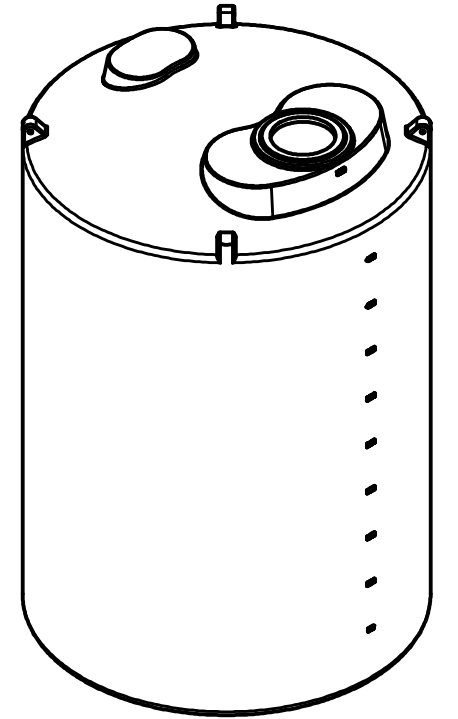
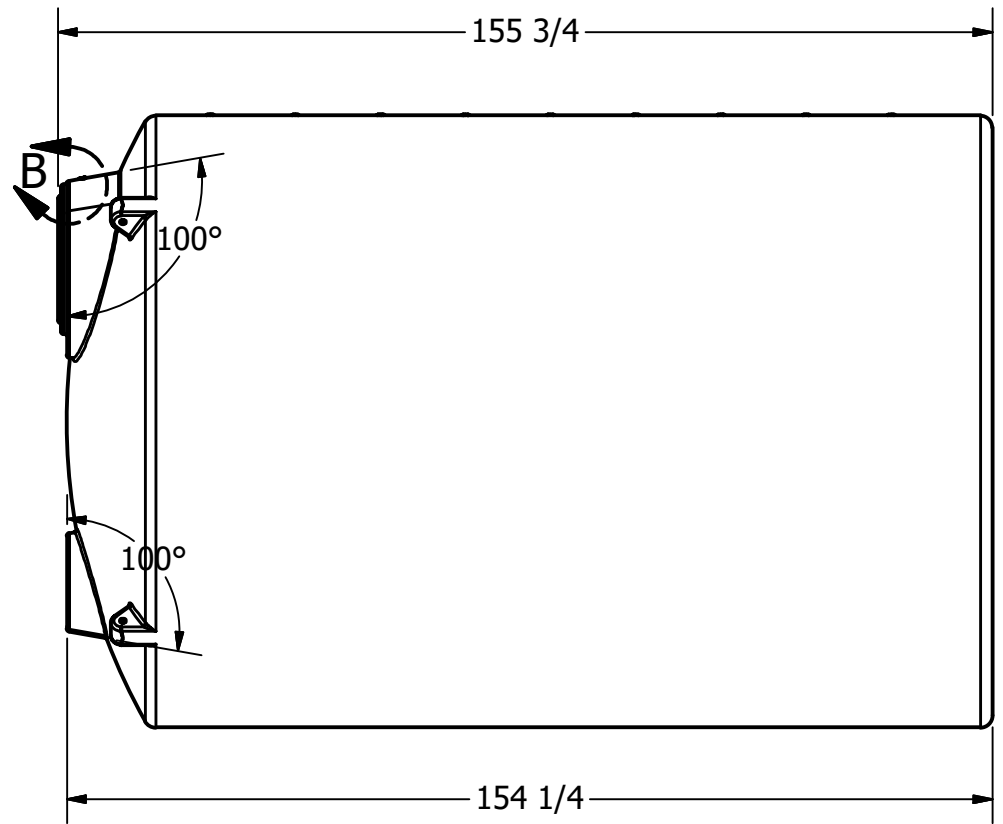


SECTION A-A
SCALE 1:6

REVISION HISTORY			
REV	DESCRIPTION	DATE	AUTHOR
A	REDRAWN	8/14/1997	
B	REDRAWN	7/16/2013	Michael Holden
DRAWN	Jerry Paulson	8/14/1997	 NORWESCO, INC. SAINT BONIFACIUS, MN TITLE 5000 GALLON VERTICAL STORAGE TANK
CHECKED			
QA			
MFG			
APPROVED			
SIZE		DWG NO	REV
B			B
SCALE: 1/16		SHEET 1 OF 1	




DETAIL B
SCALE 1 / 8



DETAIL A
SCALE 1 / 8

FOB FAIRFIELD, TX

REVISION HISTORY				
ZONE	REV	DESCRIPTION	DATE	APPROVED
	A	MODIFIED OVERALL HEIGHT	3/15/2018	
DRAWN	10/7/2006	 NORWESCO, INC., ST. BONIFACIUS, MN TITLE 5000 GALLON VERTICAL INDUSTRIAL TANK		
Jerry Paulson				
CHECKED				
QA				
MFG				
APPROVED				
		SIZE	DWG NO	REV
		B		A
		SCALE: 1/32	SHEET 1 OF 1	