
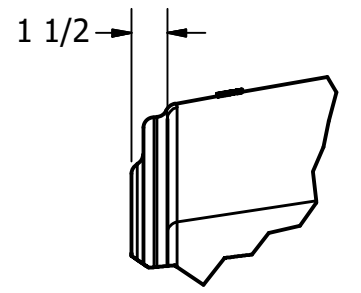
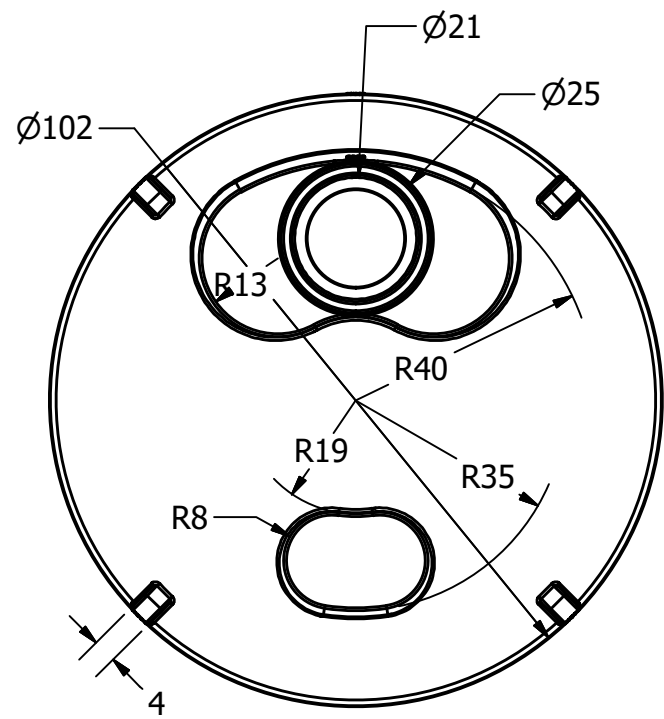
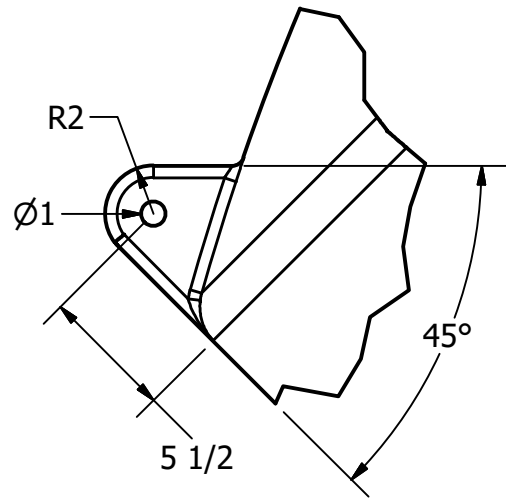
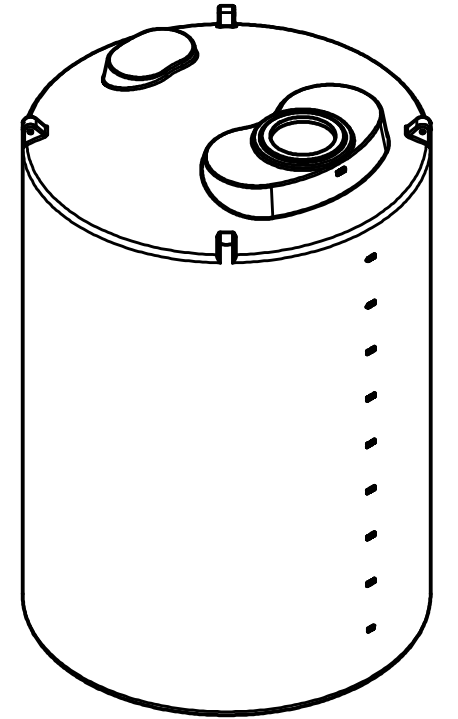
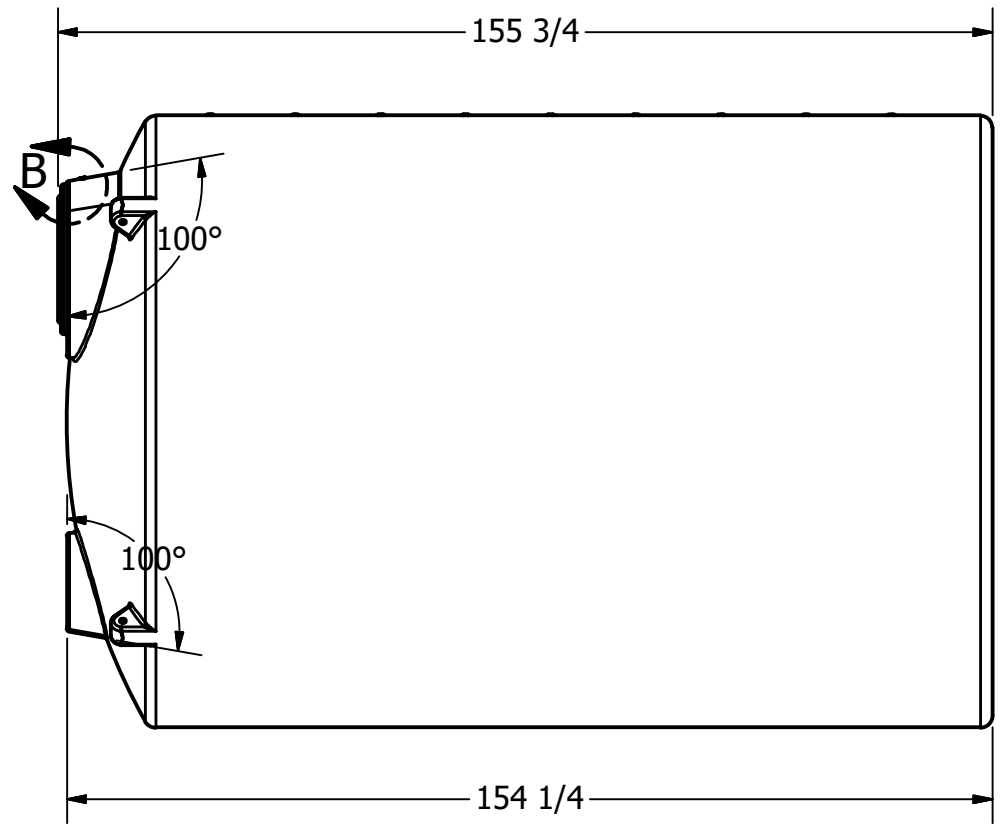


SECTION A-A
SCALE 1:6

| REVISION HISTORY | | | |
|------------------------|-------------|--------------|---|
| REV | DESCRIPTION | DATE | AUTHOR |
| A | REDRAWN | 8/14/1997 | |
| B | REDRAWN | 7/16/2013 | Michael Holden |
| DRAWN Jerry Paulson | | 8/14/1997 |  NORWESCO, INC. SAINT BONIFACIUS, MN TITLE 5000 GALLON VERTICAL STORAGE TANK |
| CHECKED | | | |
| QA | | | |
| MFG | | | |
| APPROVED | | | |
| SIZE B | | DWG NO | REV B |
| SCALE: 1/16 | | SHEET 1 OF 1 | |




DETAIL B
SCALE 1 / 8



DETAIL A
SCALE 1 / 8

FOB FAIRFIELD, TX

| REVISION HISTORY | | | | |
|------------------|-----------|---|--------------|----------|
| ZONE | REV | DESCRIPTION | DATE | APPROVED |
| | A | MODIFIED OVERALL HEIGHT | 3/15/2018 | |
| DRAWN | 10/7/2006 |  NORWESCO, INC., ST. BONIFACIUS, MN TITLE 5000 GALLON VERTICAL INDUSTRIAL TANK | | |
| Jerry Paulson | | | | |
| CHECKED | | | | |
| QA | | | | |
| MFG | | | | |
| APPROVED | | | | |
| | | SIZE | DWG NO | REV |
| | | B | | A |
| | | SCALE: 1/32 | SHEET 1 OF 1 | |