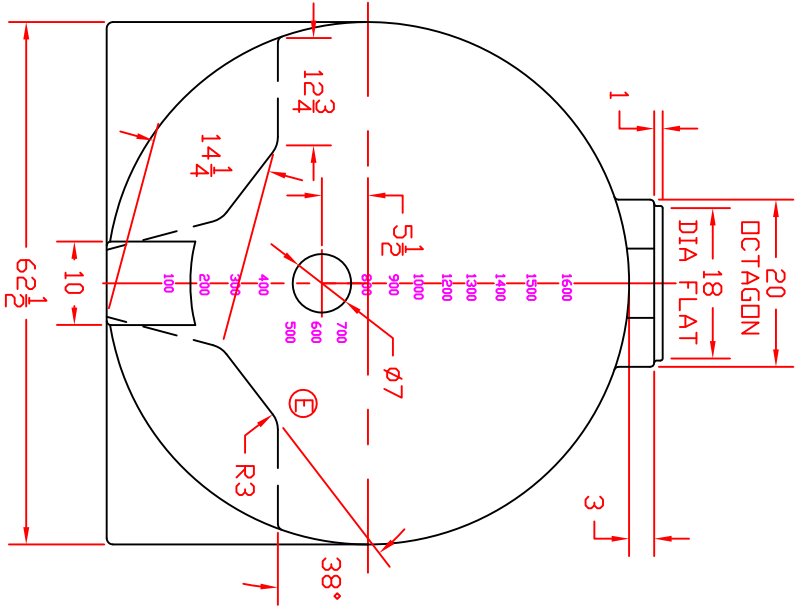
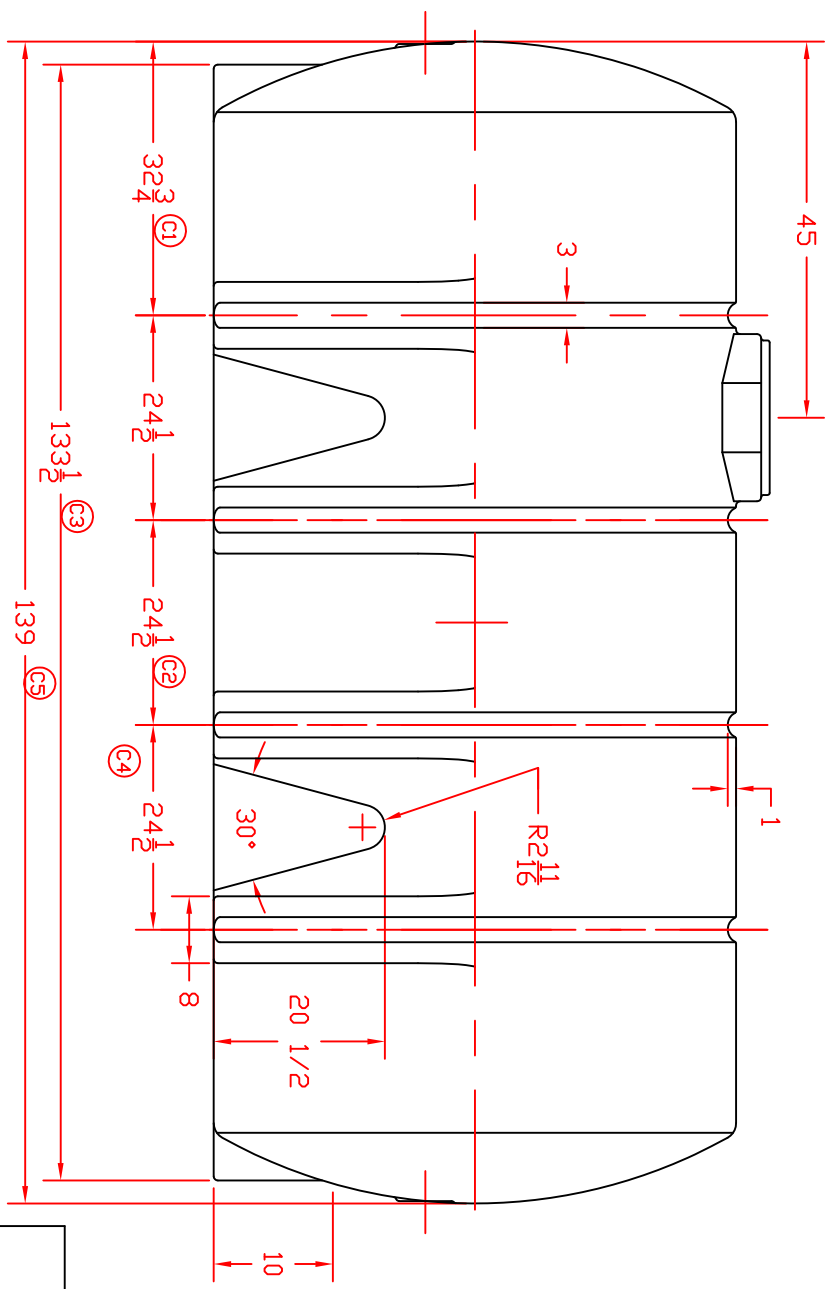


REVISIONS			
ZONE	REV	DESCRIPTION	DATE
	D	SPARGER FLATS REV'D.	17AUG04
	E	BAFFLES MODIFIED	11OCT11

REVISIONS			
ZONE	REV	DESCRIPTION	DATE
	B	REDDRAWN	14AUG97
	C	DIMS MATCHED TO PRDD	23OCT01
		WAS 1332, 2221,	
		3)129-1/4, 4)131, 5)134	



NORWESCO
 ST. BONIFACIUS, MN
 1625 GALLON HORIZONTAL
 LEG TANK

JTP 14AUG97
 SCALE 1/16

DWG NO. SHEET

REV E