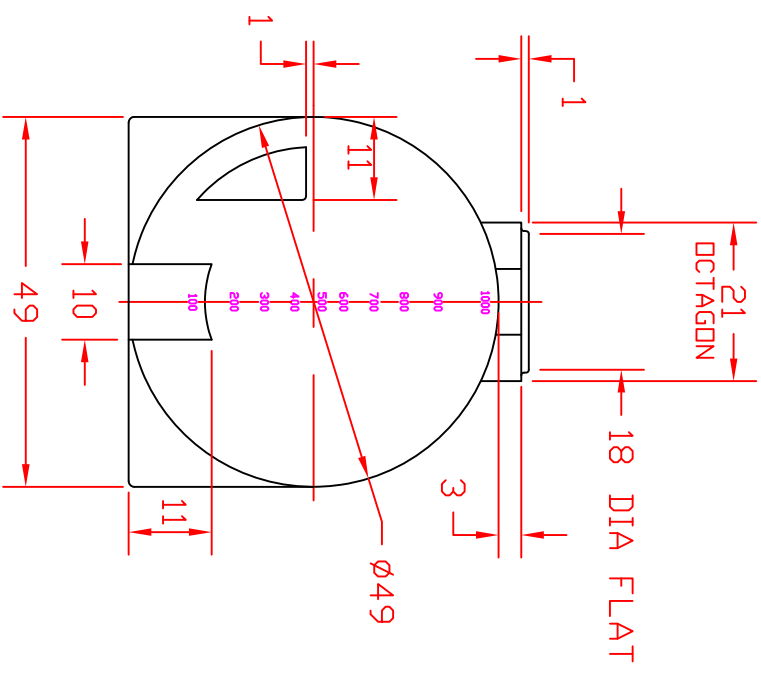
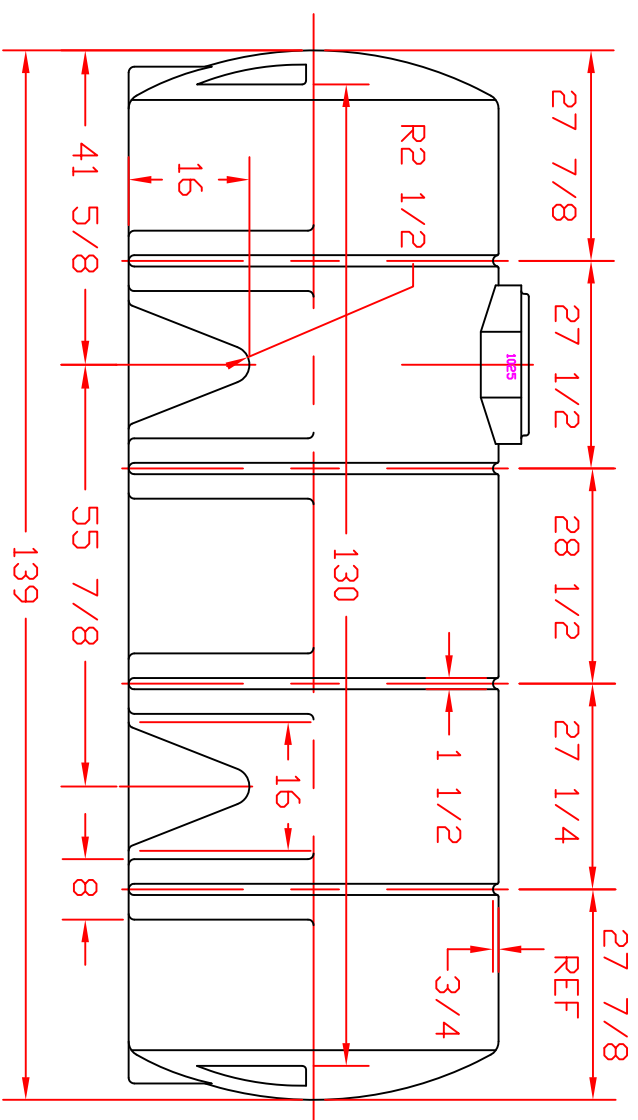


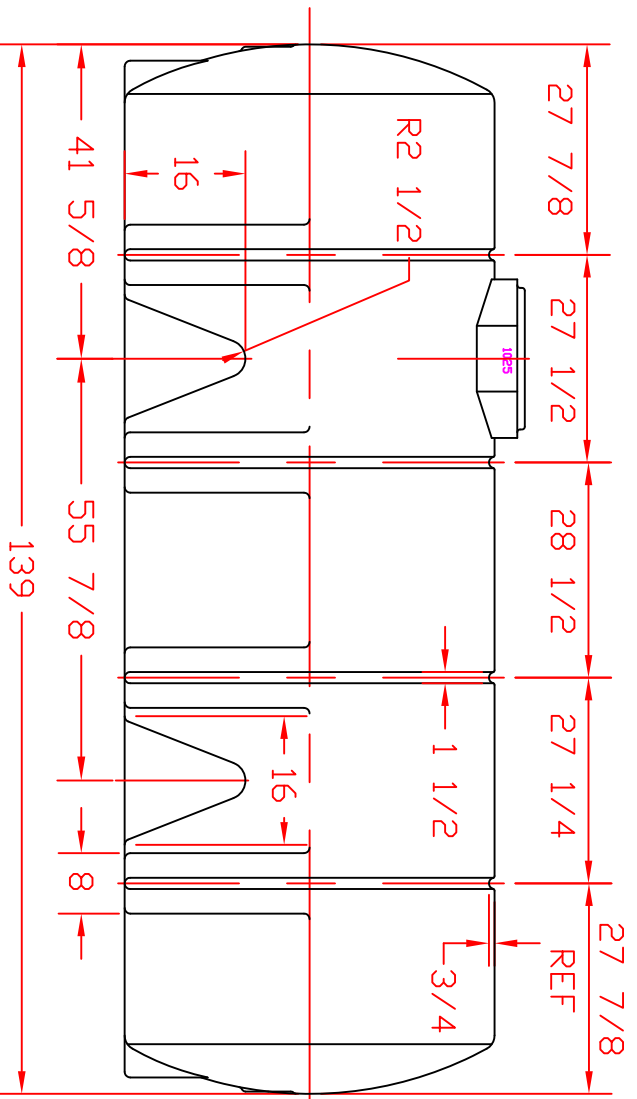
| REVISIONS | | | | |
|-----------|-----|-------------|---------|----------|
| ZONE | REV | DESCRIPTION | DATE | APPROVED |
| C | | REDRAWN | 06MAY97 | |



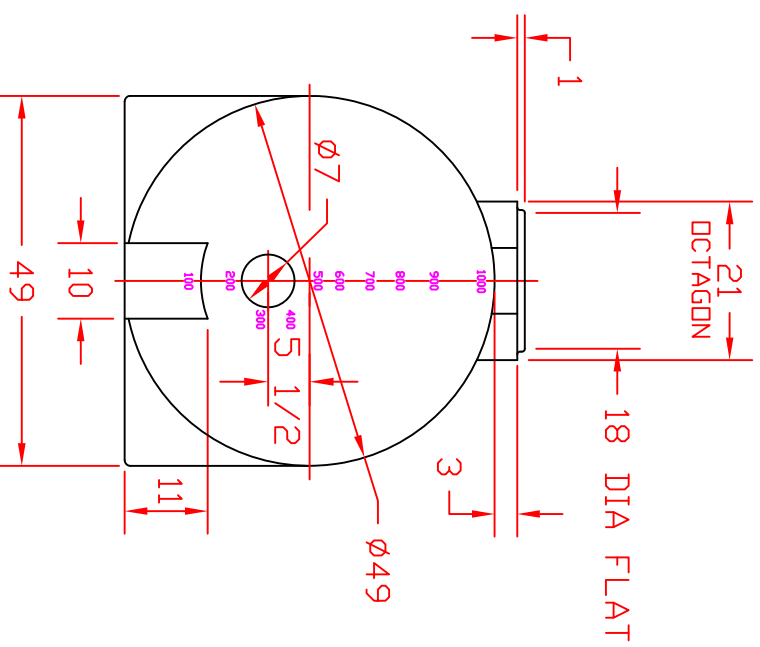
| | | | | | |
|------------|---------|-------------------------------------|----------|---------|-----|
| | | ST. BONIFACIUS, MN | | | |
| | | 1025 GALLON HORIZONTAL STORAGE TANK | | | |
| JTP | 06MAY97 | SIZE | FSCM NO. | DWG NO. | REV |
| | | A | | | C |
| SCALE 1/24 | | SHEET | | | |

REVISIONS

| ZONE | REV | DESCRIPTION | DATE | APPROVED |
|------|-----|------------------------|---------|----------|
| | D | REDRAWN, SPARGER REV'D | 05MAY01 | |



GALLON MARKS THIS END



FDB GRIFFIN, GA FAIRFIELD, TX

| | | | |
|---|---------|---------|----------|
| <p>NORWESCO ST. BONIFACIUS, MN</p> | | | |
| <p>1025 GALLON HORIZONTAL STORAGE TANK</p> | | | |
| JTP | 05MAY01 | SIZE | FSCM NO. |
| | | A | |
| | | DWG NO. | REV |
| | | | D |
| SCALE 1/24 | | SHEET | |