

# Husky 1050 Metal Pumps

## Popular Models

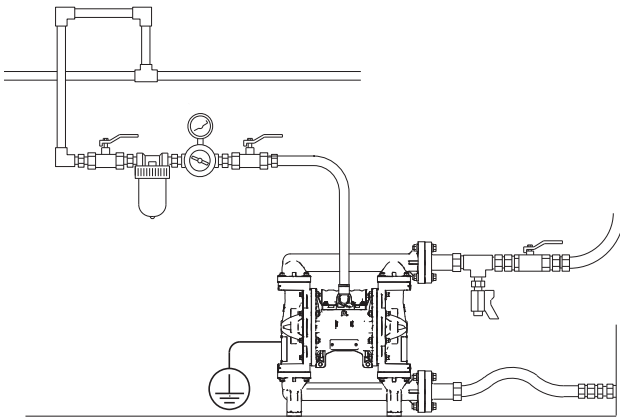
| Material        | Part Number                   |                  | Outlet Orientation | Porting | Materials for Seats               | Materials for Balls | Materials for Diaphragms          | Air Valve Replacement Kit | Seat Kit | Ball Kit | Diaphragm Kit |
|-----------------|-------------------------------|------------------|--------------------|---------|-----------------------------------|---------------------|-----------------------------------|---------------------------|----------|----------|---------------|
|                 | Standard Air Valve            | Remote Air Valve |                    |         |                                   |                     |                                   |                           |          |          |               |
| Aluminum        | 647666                        | 647502           | Multi Port         | NPT     | Thermoplastic Polyester Elastomer | Acetal              | Thermoplastic Polyester Elastomer | 24B766                    | 24B634   | 24B639   | 24B624        |
|                 | 647075                        | 647561           | Multi Port         | NPT     | Acetal                            | PTFE                | PTFE/EPDM 2 Piece                 | 24B766                    | 24B630   | 24B645   | 24B627        |
|                 | 647040                        | 647526           | Multi Port         | NPT     | Geolast                           | Geolast             | Geolast                           | 24B766                    | 24B633   | 24B641   | 24B623        |
|                 | 647035                        | 647521           | Multi Port         | NPT     | Santoprene                        | Santoprene          | Santoprene                        | 24B766                    | 24B636   | 24B646   | 24B628        |
|                 | 647028                        | 647514           | Multi Port         | NPT     | 316 SST                           | PTFE                | PTFE/EPDM 2 Piece                 | 24B766                    | 24B637   | 24B645   | 24B627        |
|                 | 647004                        | 647490           | Multi Port         | NPT     | Polypropylene                     | PTFE                | PTFE/EPDM 2 Piece                 | 24B766                    | 24B635   | 24B645   | 24B627        |
|                 | 647018                        | 647504           | Multi Port         | NPT     | 316 SST                           | 316 SST             | PTFE/EPDM 2 Piece                 | 24B766                    | 24B637   | 24B647   | 24B627        |
|                 | 647043*                       |                  | Multi Port         | NPT     | Buna-N                            | Buna-N              | Buna-N                            | 25C296                    | 24B638   | 34B648   | 24B629        |
|                 | 647124*                       |                  | Multi Port         | BSPT    | Buna-N                            | Buna-N              | Buna-N                            | 25C296                    | 24B638   | 24B648   | 24B629        |
|                 | 647047*                       |                  | Multi Port         | NPT     | FKM                               | FKM                 | FKM                               | 25C296                    | 24B630   | 24B640   | 24B622        |
| 647128*         |                               | Multi Port       | BSPT               | FKM     | FKM                               | FKM                 | 25C296                            | 24B632                    | 24B640   | 24B622   |               |
| Stainless Steel | 651009                        | 651125           | Multi Port         | NPT     | 316 SST                           | PTFE                | PTFE/EPDM 2 Piece                 | 24B766                    | 24B637   | 24B645   | 24B627        |
|                 | Stainless Steel Flange Models | 651506**         | Center/Horizontal  | Flange  | 316 SST                           | PTFE                | PTFE                              | 27B768                    | 24B637   | 24B647   | 24B627        |
|                 |                               | 651531**         | Center/Vertical    | Flange  | 316 SST                           | PTFE                | PTFE                              | 24B768                    | 24B637   | 24B647   | 24B627        |
|                 |                               | 651508**         | Center/Horizontal  | Flange  | 316 SST                           | Santoprene          | PTFE                              | 24B768                    | 24B637   | 24B647   | 24B628        |
|                 |                               | 651533**         | Center/Vertical    | Flange  | 316                               | Santoprene          | PTFE                              | 24B768                    | 24B637   | 24B647   | 24B628        |
| Hastelloy       | 651440                        | End              | NPT                | FKM     | PTFE                              | PTFE/EPDM 2 Piece   | 24B768                            | 24B638                    | 24B645   | 24B627   |               |

\*Aluminum body with Natural Gas operation capabilities.

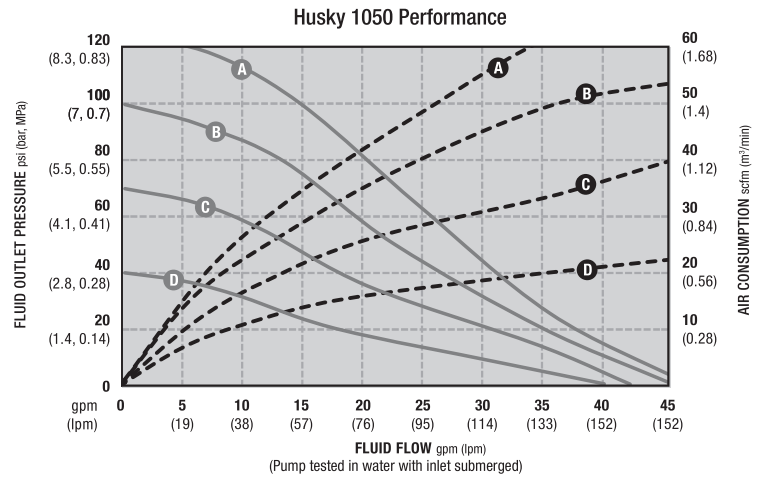
\*\*All stainless steel flange models have a fixed center inlet.

## Typical System Drawings

Husky 1050 Floor-Mount



## Performance Charts



| AIR PRESSURE                         | LEGEND                |
|--------------------------------------|-----------------------|
| (A) = at 125 psi (8.3 bar, 0.83 MPa) | Air Consumption ..... |
| (B) = at 100 psi (7 bar, 0.7 MPa)    | Fluid Pressure ———    |
| (C) = at 70 psi (4.8 bar, 0.48 MPa)  |                       |
| (D) = at 40 psi (2.8 bar, 0.28 MPa)  |                       |

# Husky 1050 Metal Pumps

## Technical Specifications

| Husky 1050 Metal Pumps  | Aluminum  | Stainless Steel   |                             | Hastelloy   |
|---|---|---|-----------------------------|---|
| Maximum fluid working pressure  | 125 psi (8.6 bar, 0.86 MPa)   | 125 psi (8.6 bar, 0.86 MPa)   |                             | 125 psi (8.6 bar, 0.86 MPa)   |
| Natural gas operated pump models  | 120 psi (8.3 bar, 0.83 MPa)   |   |                             |   |
| Maximum free flow delivery  | 50 gpm (189 lpm)  | 50 gpm (189 lpm)  |                             | 50 gpm (189 lpm)  |
| Natural gas operated pump models  | 49 gpm (185 lpm)  | n/a   |                             | n/a   |
| Maximum pump speed  | 280 cpm   | 280 cpm   |                             | 280 cpm   |
| Natural gas operated pump models  | 275 cpm   | n/a   |                             | n/a   |
| Displacement per cycle  | 0.17 gal (0.64 liters)  | 0.17 gal (0.64 liters)  |                             | 0.17 gal (0.64 liters)  |
| Maximum suction lift  | 16 ft (4.9 m) dry,<br>29 ft (8.8 m) wet                                     | 16 ft (4.9 m) dry,<br>29 ft (8.8 m) wet   |                             | 16 ft (4.9 m) dry,<br>29 ft (8.8 m) wet   |
| Maximum size pumpable solids  | 1/8 in (3.2 mm)   | 1/8 in (3.2 mm)   |                             | 1/8 in (3.2 mm)   |
| Sound Power*<br>at 70 psi (4.8 bar, 0.48 MPa) and 50 cpm<br>at 100 psi (7.0 bar, 0.7 MPa) and full flow     | 78 dBa<br>90 dBa  | 78 dBa<br>90 dBa  |                             | 78 dBa<br>90 dBa  |
| Sound Pressure**<br>at 70 psi (4.8 bar, 0.48 MPa) and 50 cpm<br>at 100 psi (7.0 bar, 0.7 MPa) and full flow | 84 dBa<br>96 dBa  | 84 dBa<br>96 dBa  |                             | 84 dBa<br>96 dBa  |
| Maximum air consumption   | 67 scfm   | 67 scfm   |                             | 67 scfm   |
| Maximum gas consumption   | 67 scfm   | n/a   |                             | n/a   |
| Air consumption at 70 psi (4.8 bar,<br>0.48 MPa), 20 gpm (76 lpm)   | 25 scfm   | 25 scfm   |                             | 25 scfm   |
| Natural gas consumption at 70 psi (4.8 bar,<br>0.48 MPa), 20 gpm (76 lpm)                                   | 25 scfm   | n/a   |                             | n/a   |
| Air pressure operating range  | 20-125 psi (1.4-8.6 bar,<br>0.14-0.86 MPa)                                  | 20-125 psi (1.4-8.6 bar,<br>0.14-0.86 MPa)                                      |                             | 20-125 psi (1.4-8.6 bar,<br>0.14-0.86 MPa)  |
| Gas pressure operating range  | 20-120 psi (1.4-8.3 bar,<br>0.14-0.83 MPa)                                  | n/a   |                             | n/a   |
| Air inlet size  | 1/2 npt(f)  | 1/2 npt(f)  |                             | 1/2 npt(f)  |
| Gas inlet size  | 1/2 npt(f)  | n/a   |                             | n/a   |
| Fluid inlet size  | 1 in npt(f) or 1 in bspt  | 1 in npt(f) or 1 in bspt  |                             | 1 in npt(f) or 1 in bspt  |
| Fluid outlet size   | 1 in npt(f) or 1 in bspt  | 1 in npt(f) or 1 in bspt  |                             | 1 in npt(f) or 1 in bspt  |
| Weight  | 23 lb (10.5 kg)   | with conductive<br>polypropylene center   | 36.3 lb (16.5 kg)           | 41 lb (18.6 kg)   |
|   |   | with polypropylene center   | 37.3 lb (16.9 kg)           |   |
|   |   | with aluminum center  | 41.4 lb (18.8 kg)           |   |
| Wetted parts  | aluminum and material(s)<br>chosen for seat, ball, and<br>diaphragm options | stainless steel and material(s) chosen for seat,<br>ball, and diaphragm options |                             | hastelloy, stainless steel and<br>material(s) chosen for seat, ball, and<br>diaphragm options |
| Non-wetted Parts<br>Center<br>Bolts   | aluminum<br>coated carbon steel   | polypropylene<br>stainless steel  | aluminum<br>stainless steel | polypropylene<br>stainless steel  |
| Instruction manual  | 312877  | 312877  |                             | 312877  |
| Natural gas instruction manual  | 313598  | n/a   |                             | n/a   |
| Repair/parts manual   | 313435  | 313435  |                             | 313435  |
| Natural gas repair/parts manual   | 313435  | n/a   |                             | n/a   |

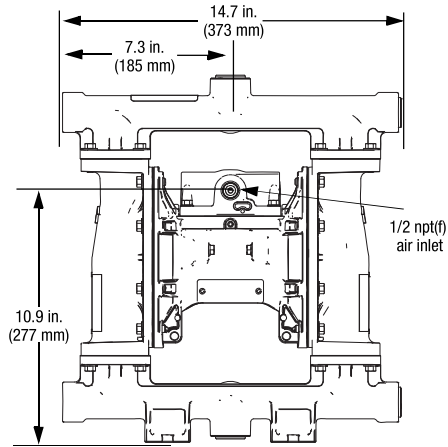
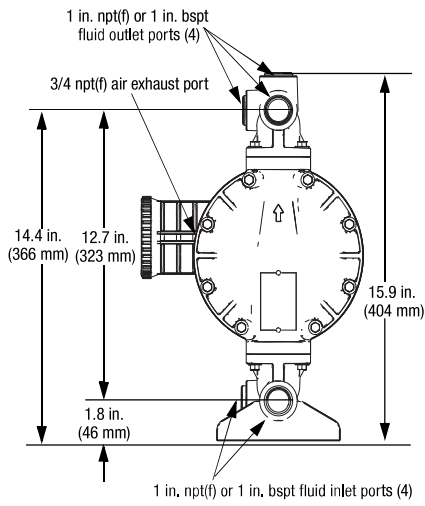
\* Sound power measured per ISO-9614-2. \*\* Sound pressure was tested 3.28 ft (1 m) from equipment.



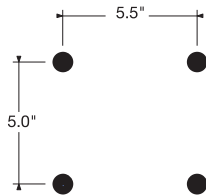
# Husky 1050 Metal Pumps

## Dimensions

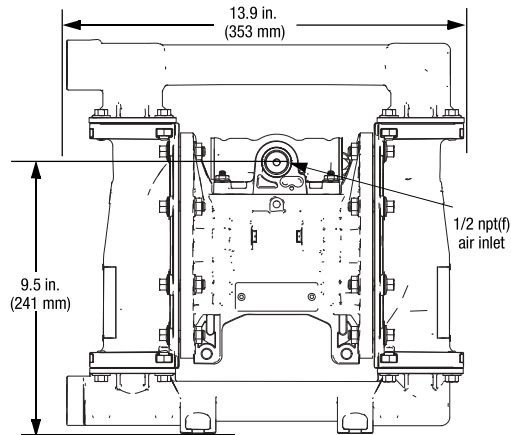
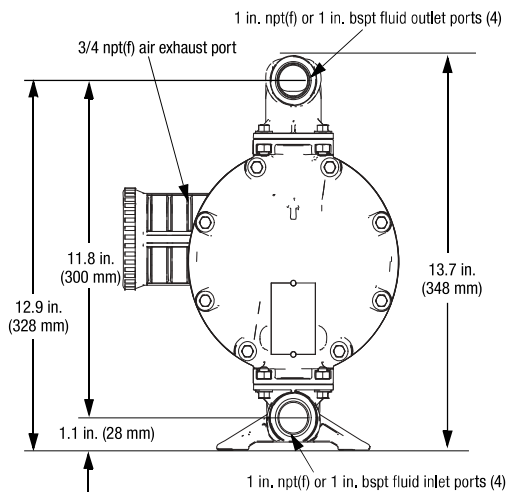
### Aluminum



### Mounting Pattern



### Stainless Steel and Hastelloy



### Mounting Pattern

